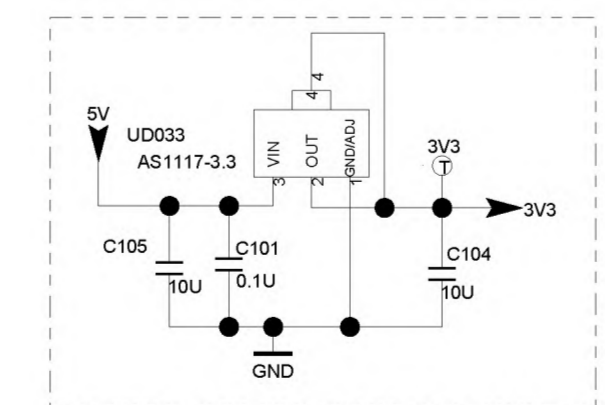
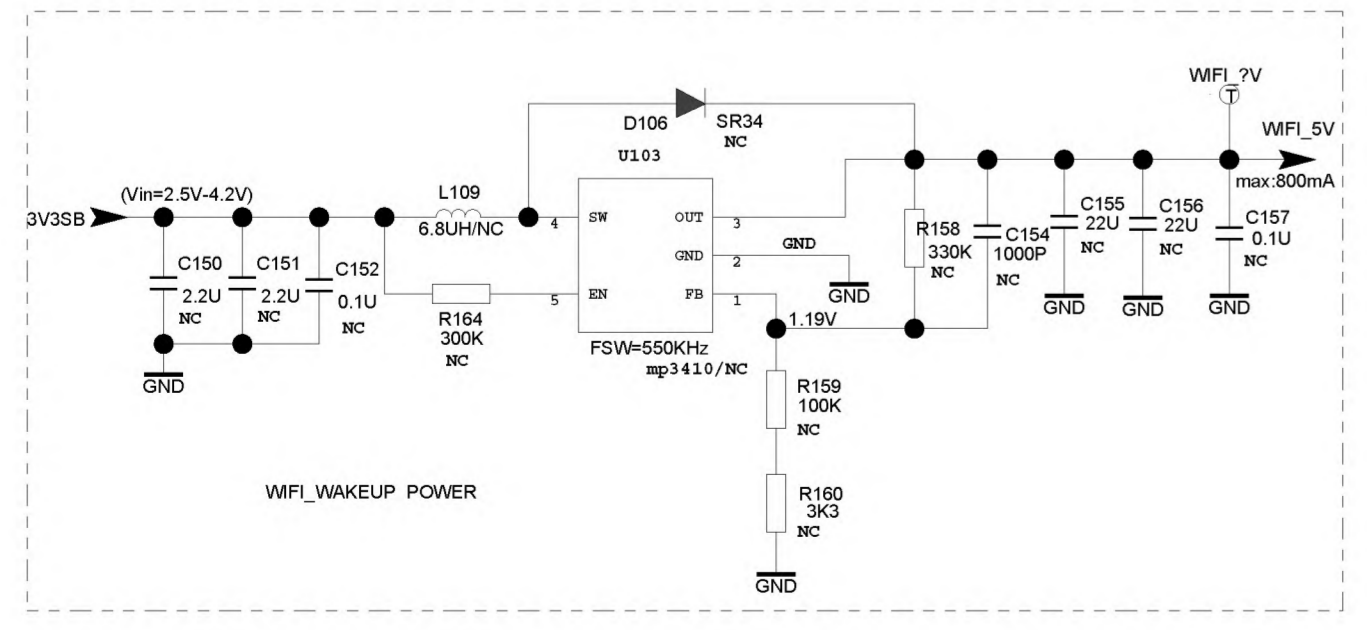
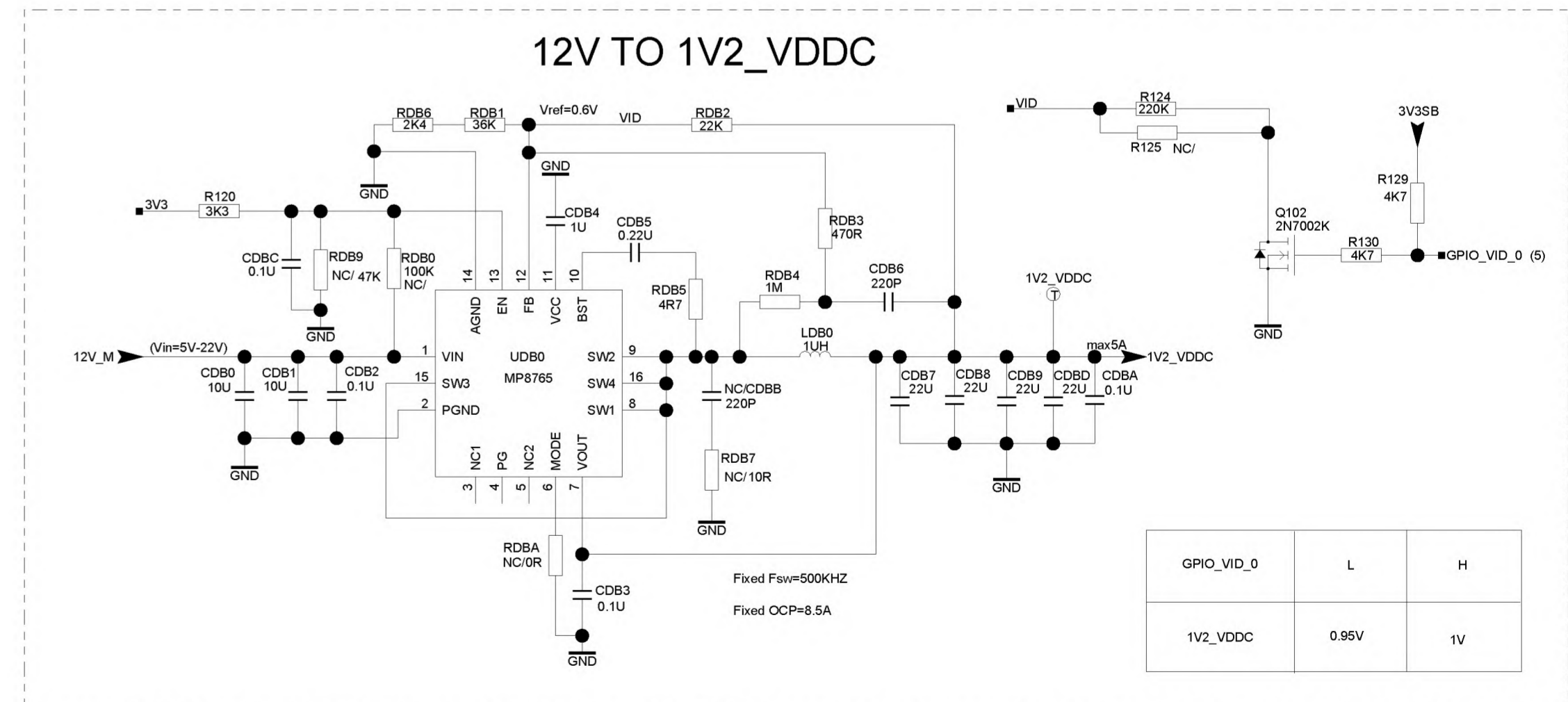
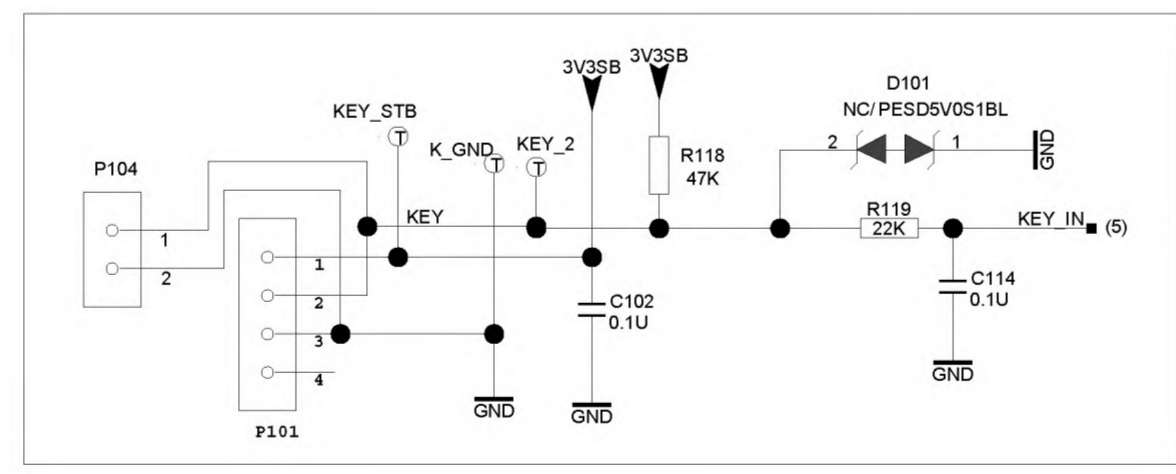
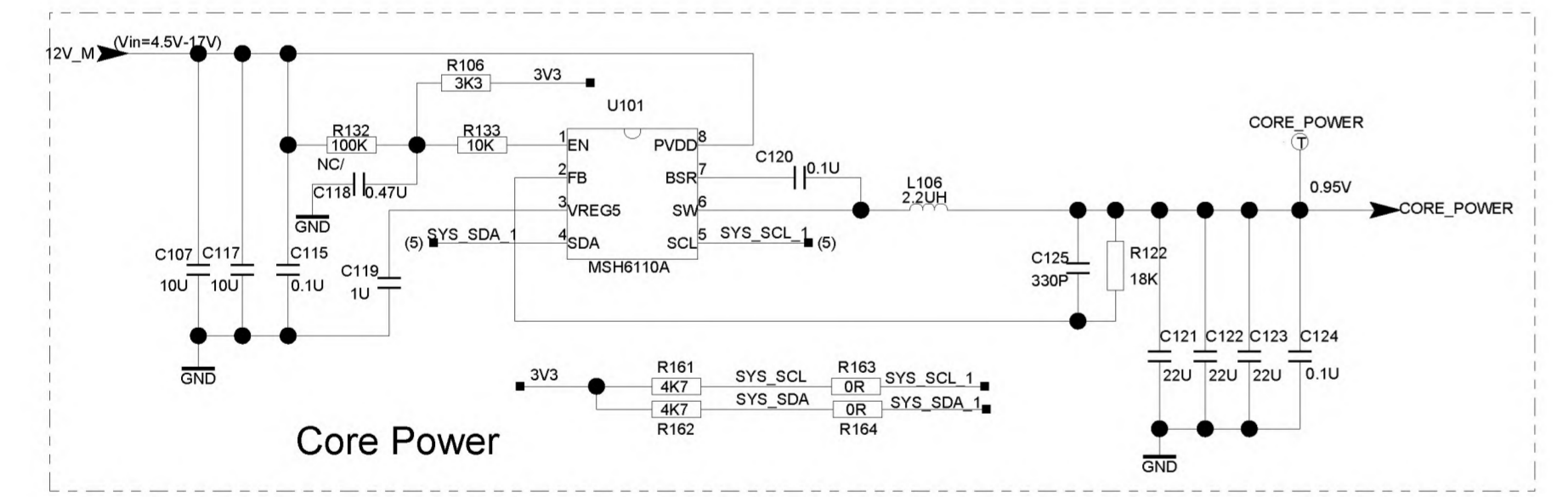
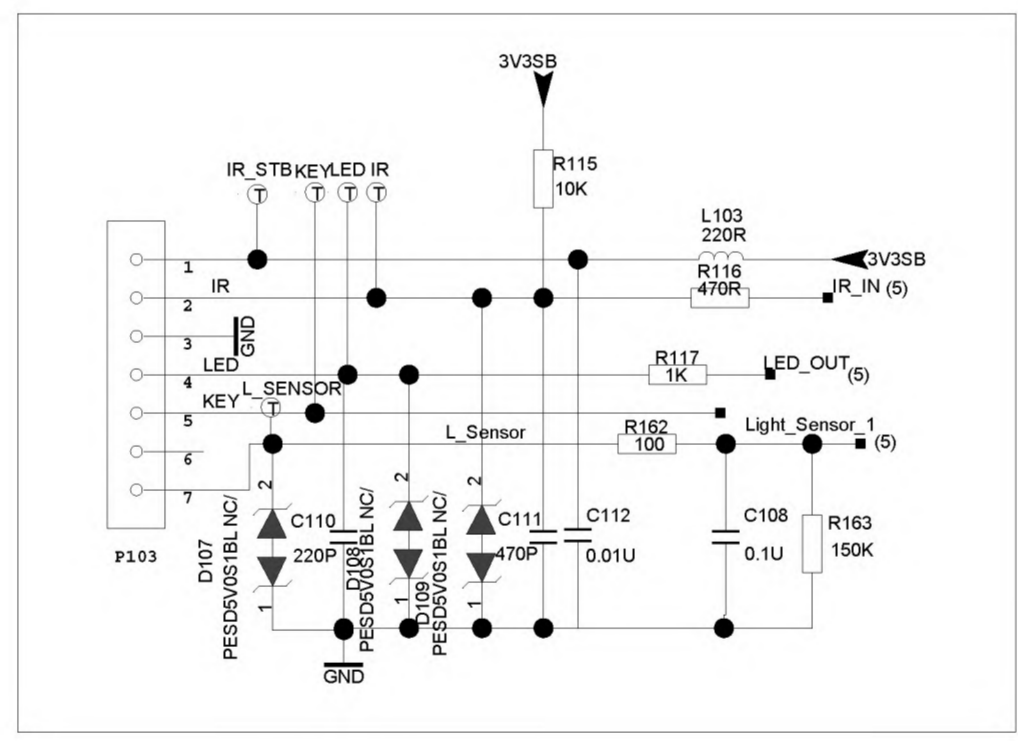
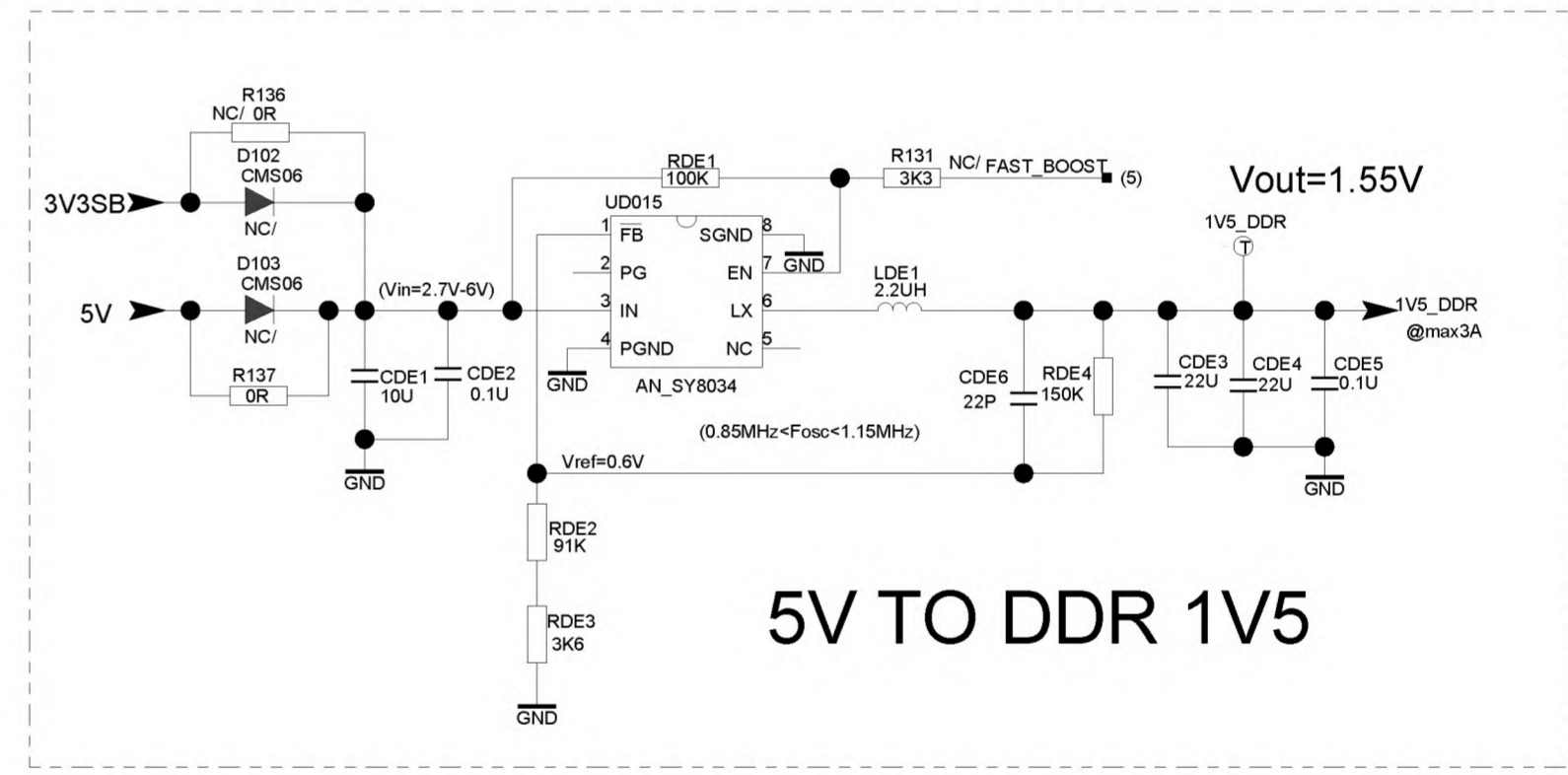
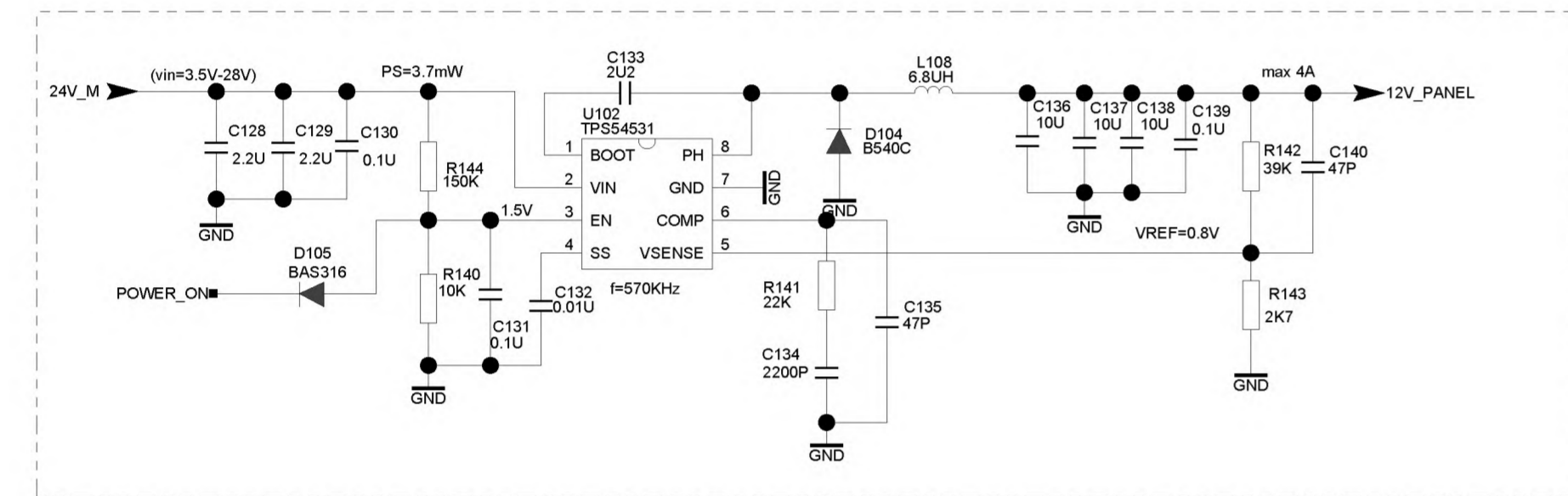
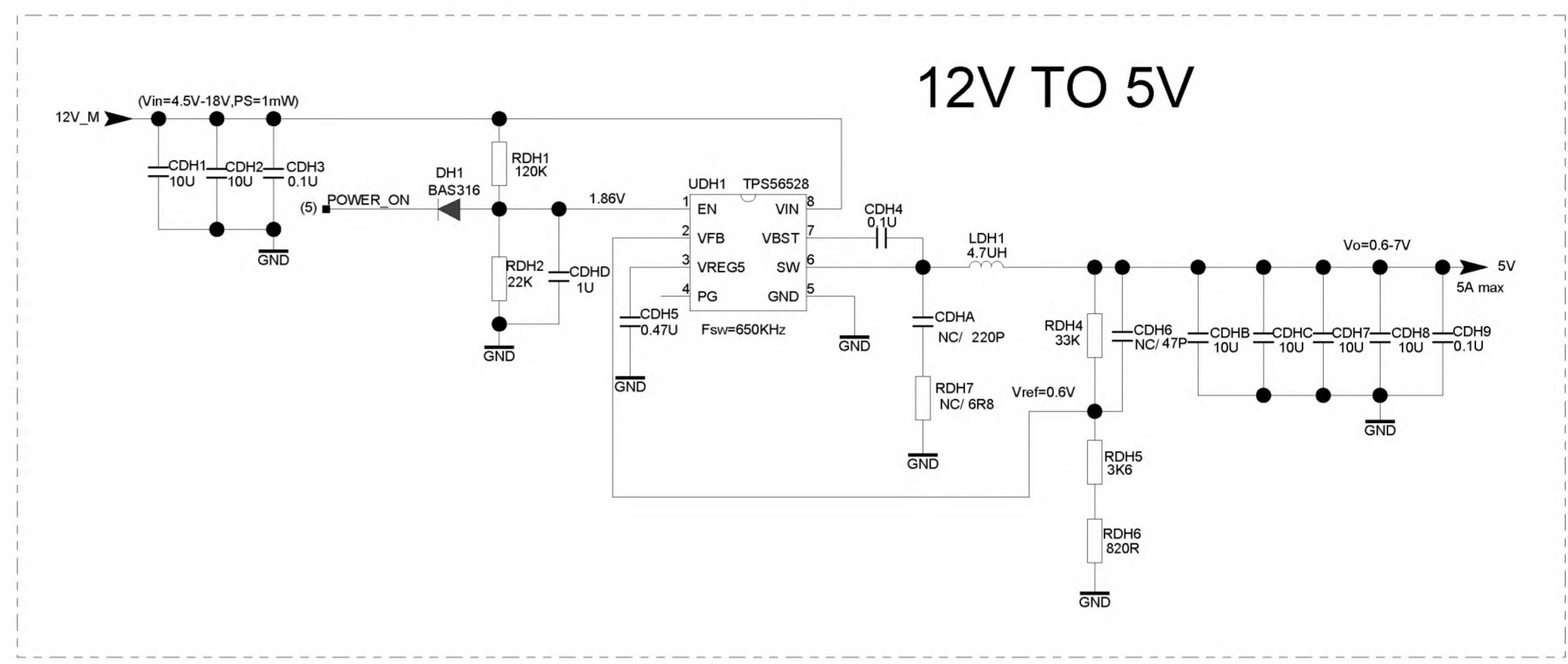
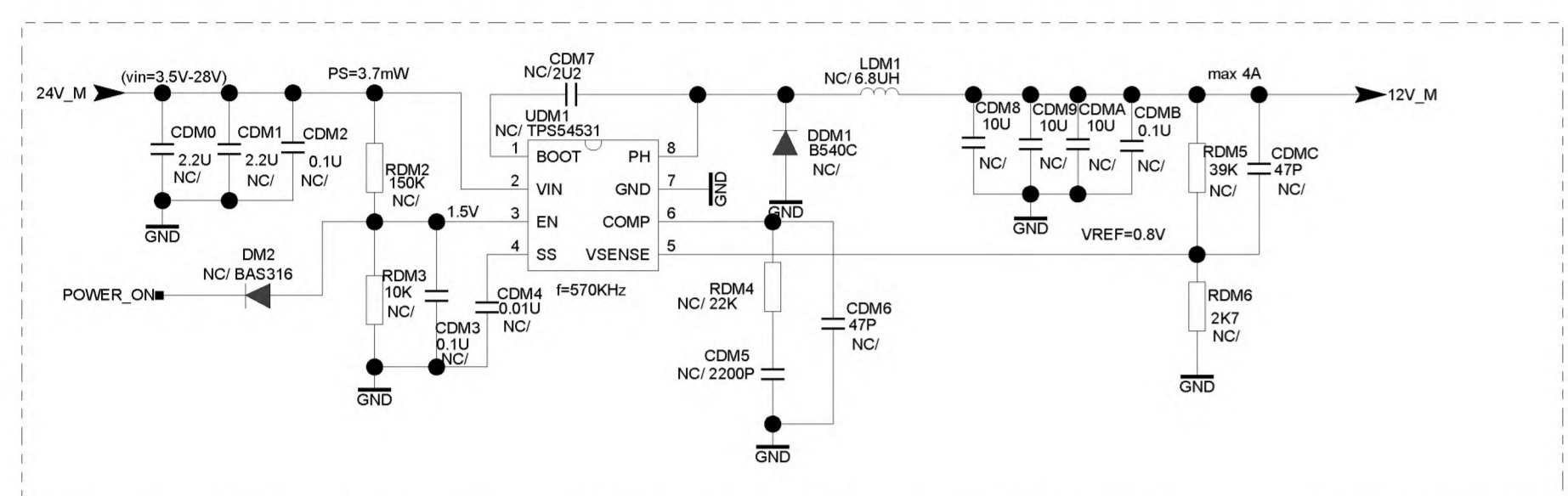
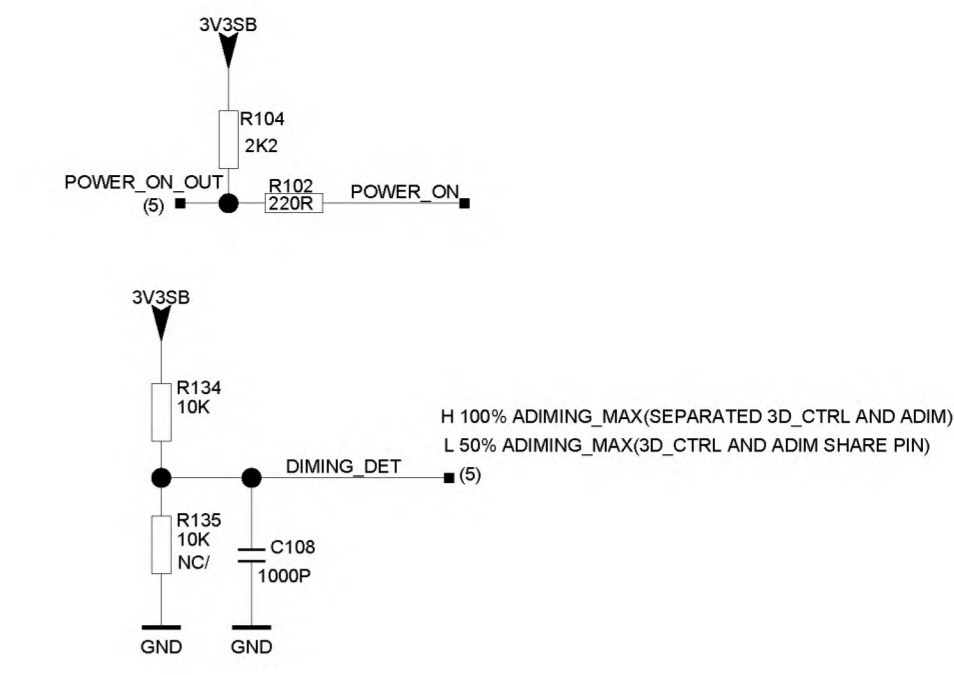
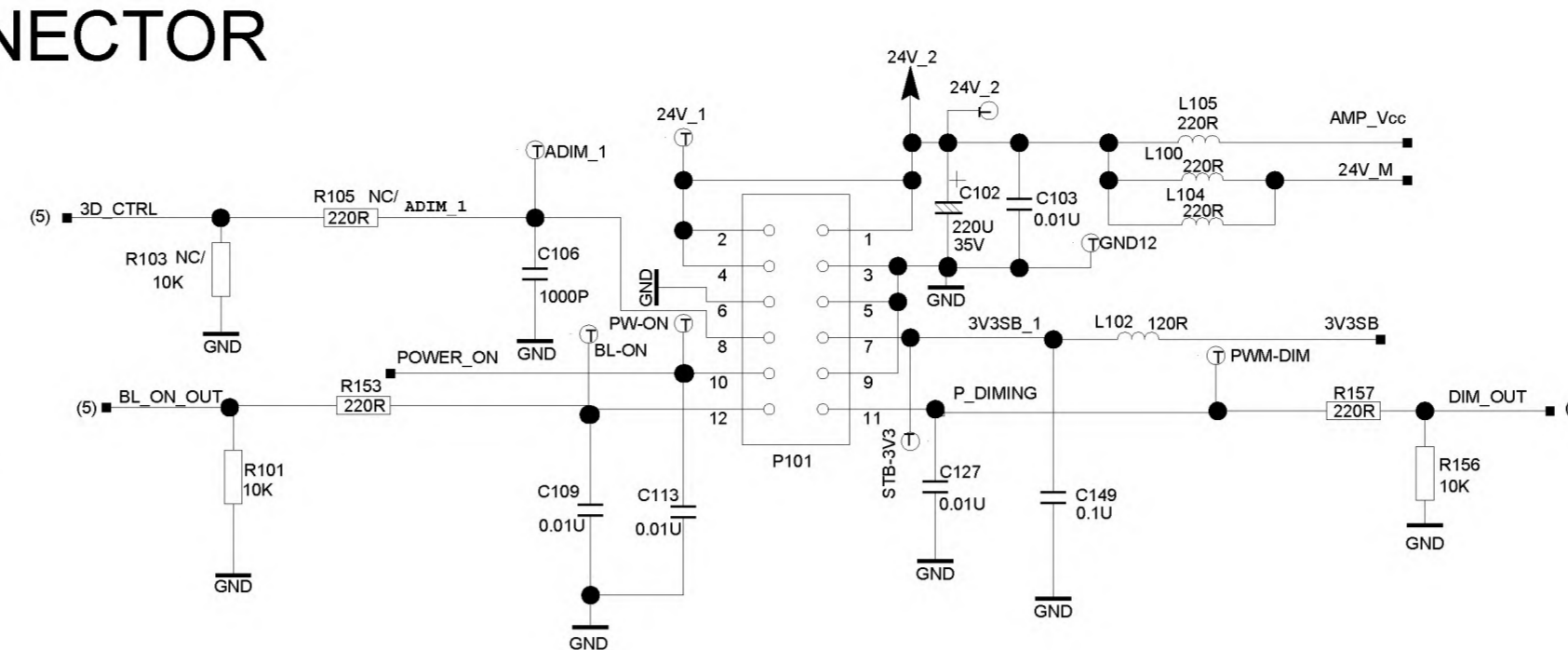
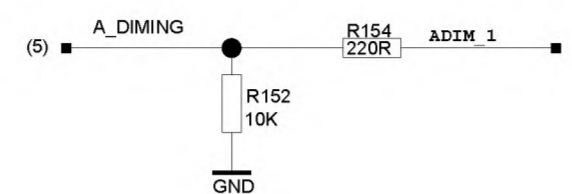


POWER BD CONNECTOR

24V	24V
24V_A_DIM	GND
3D_CTRL	3.3VSB
POWER_ON	GND
BL_ON	DIM_PWM



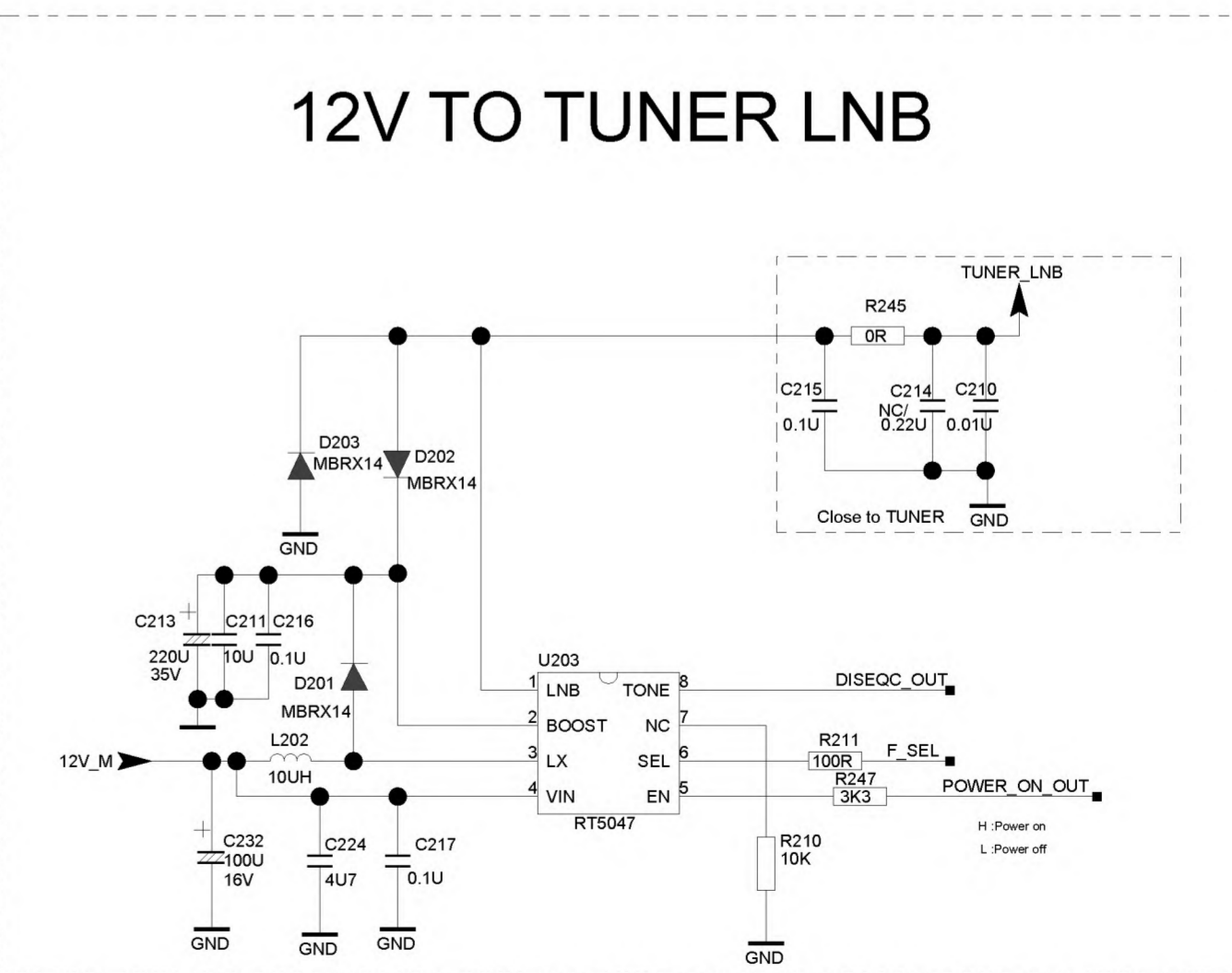
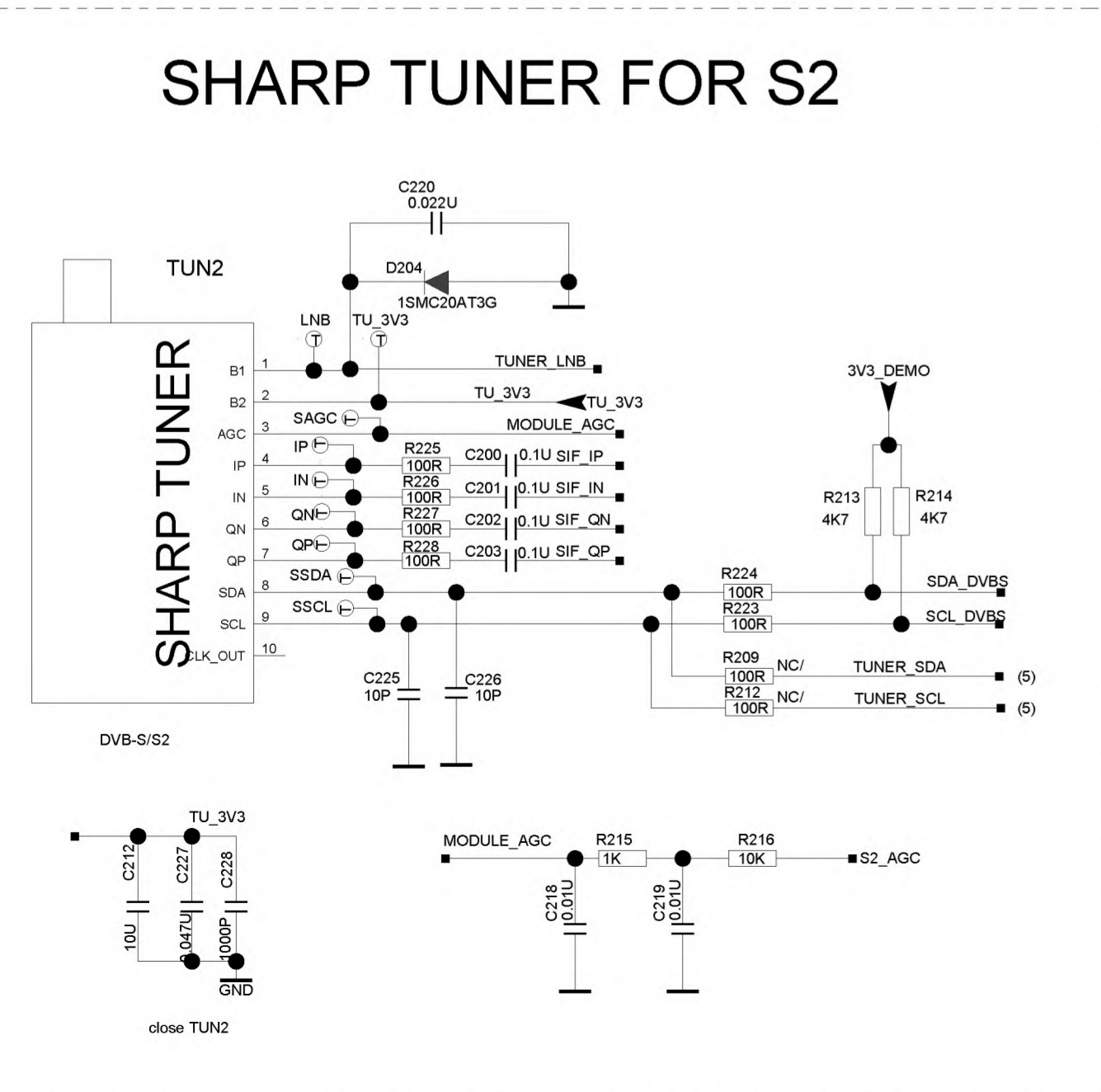
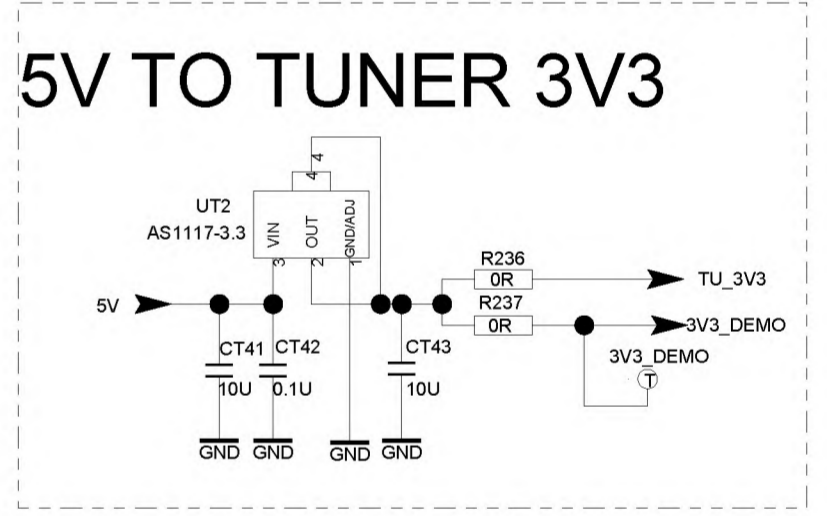
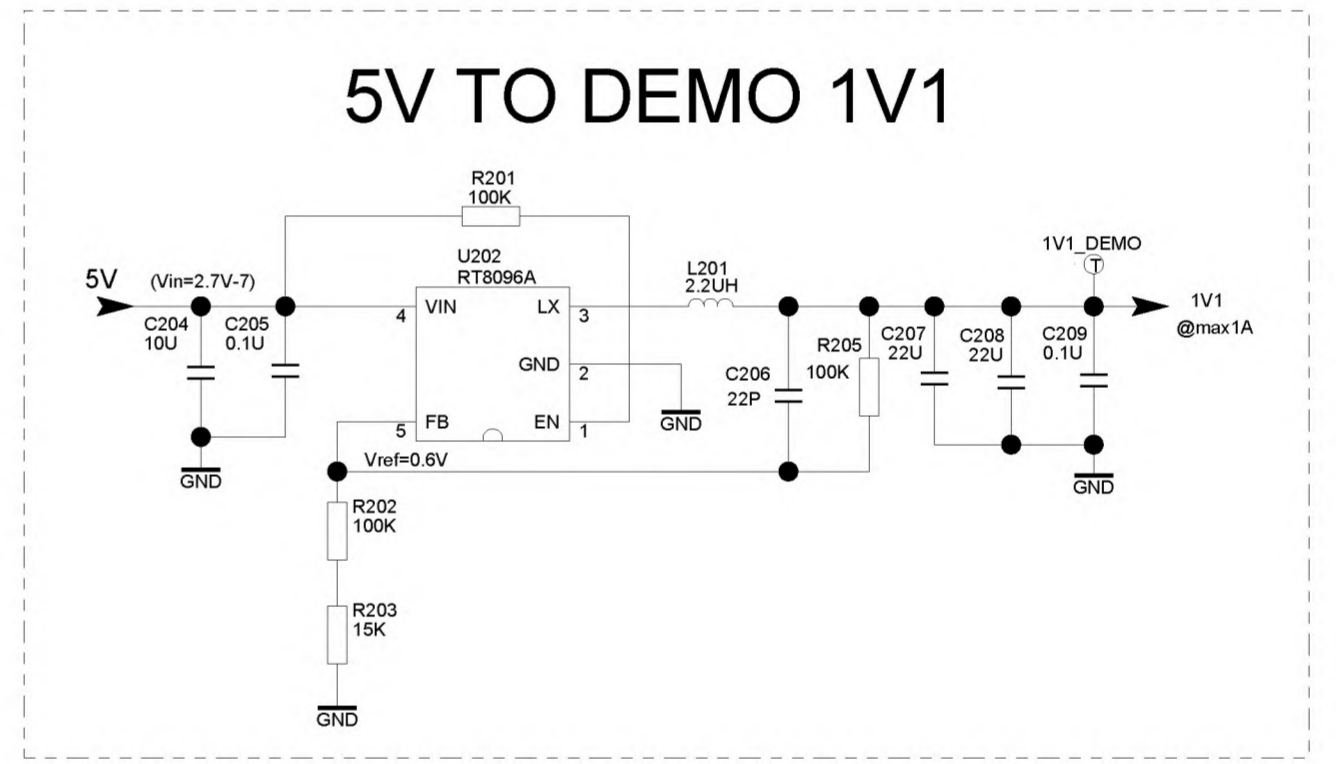
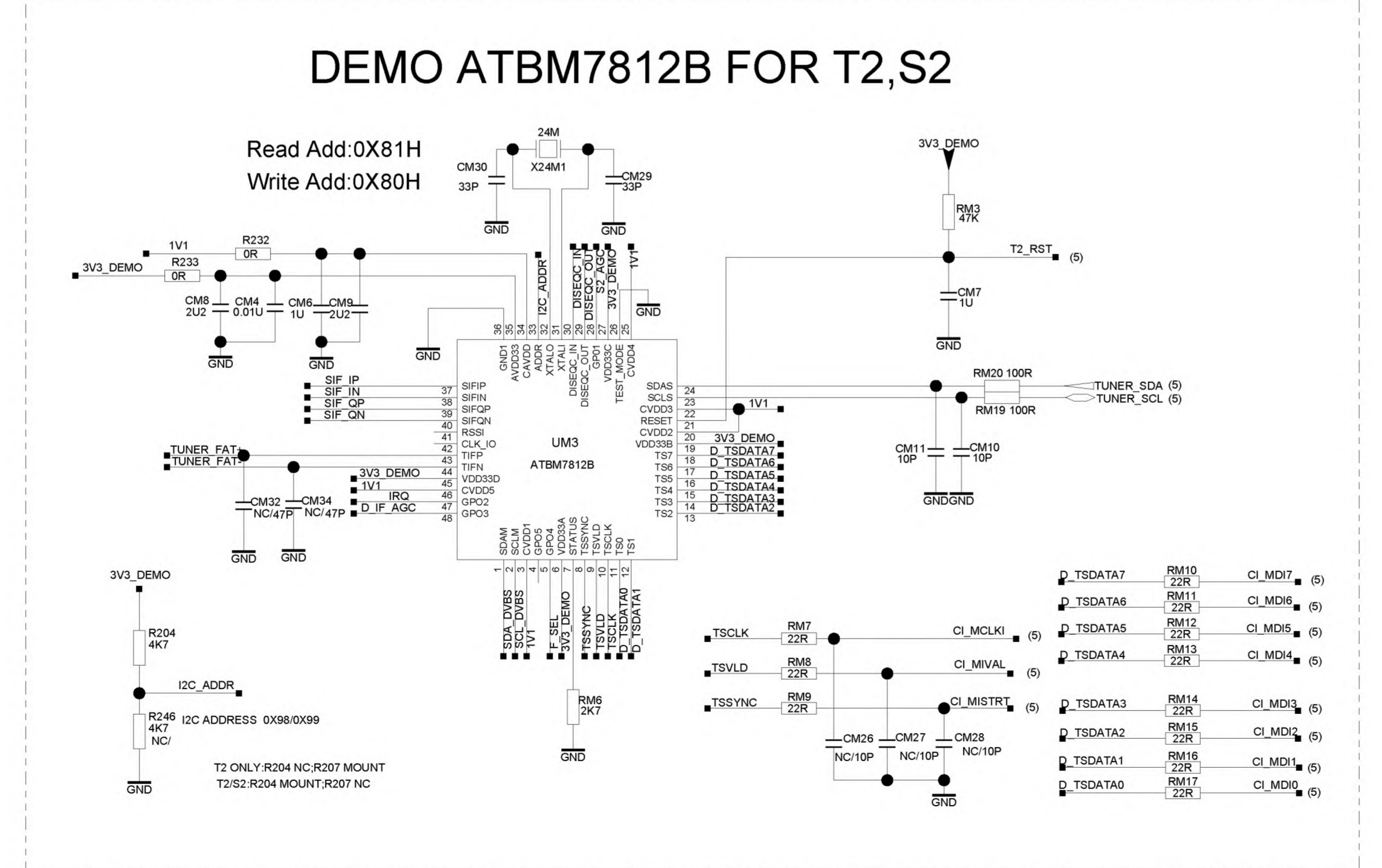
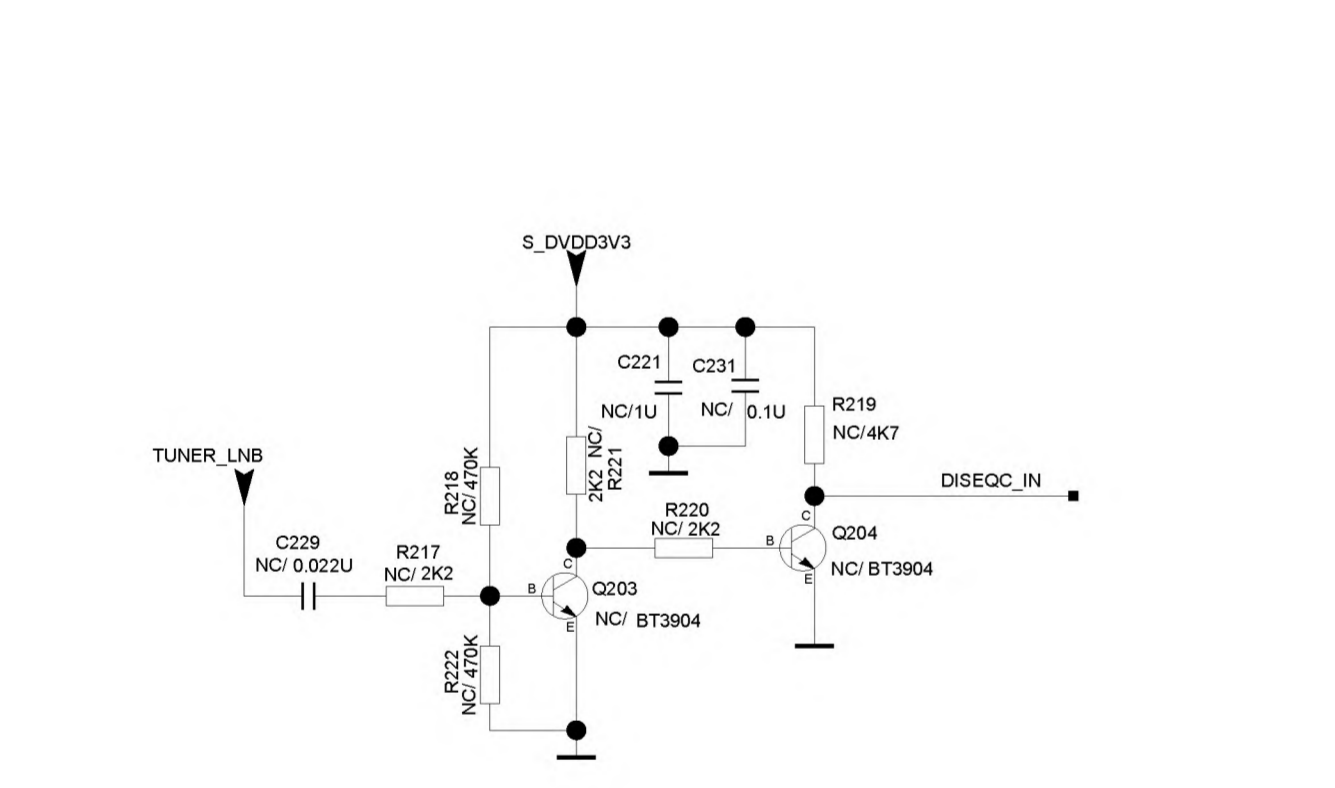
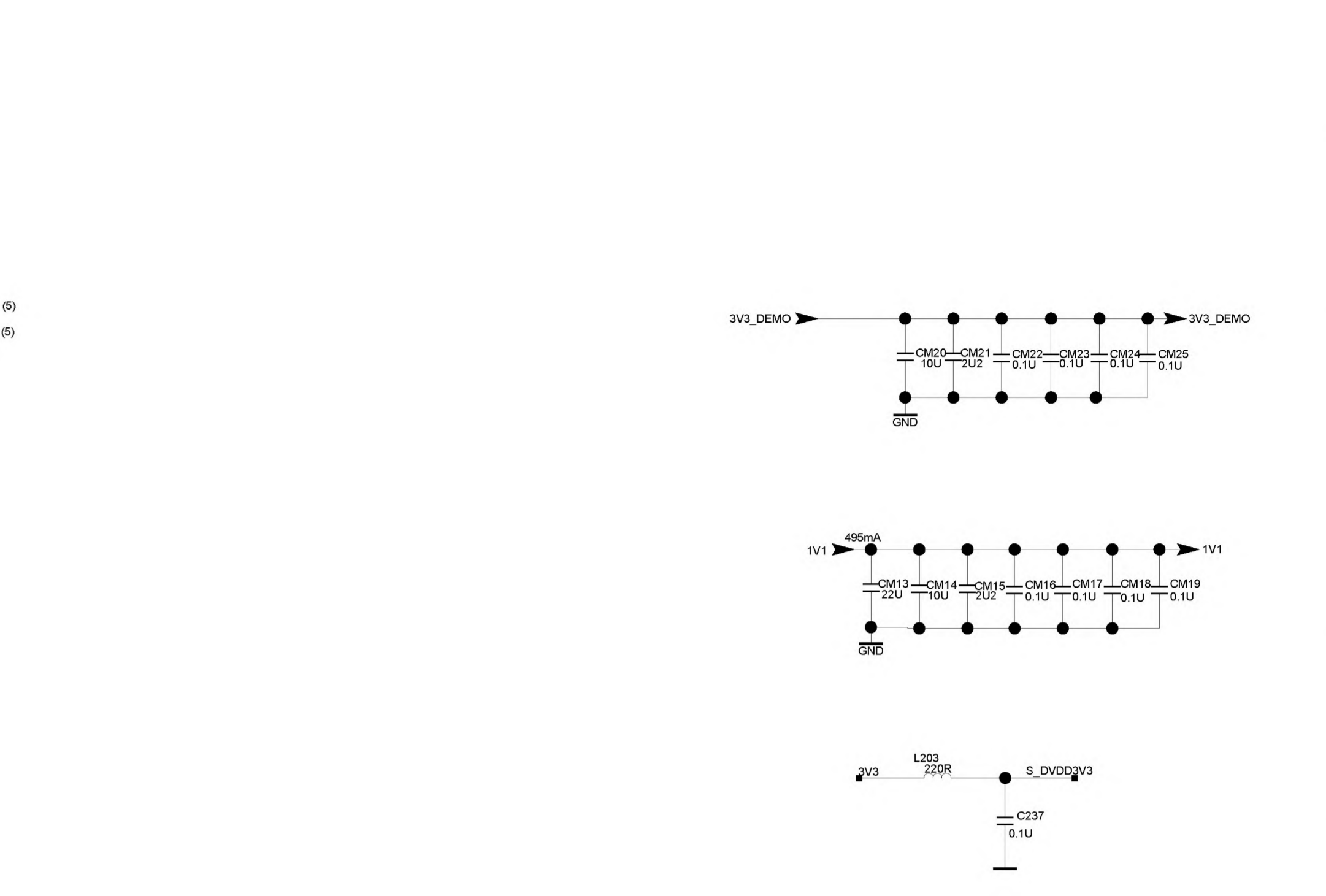
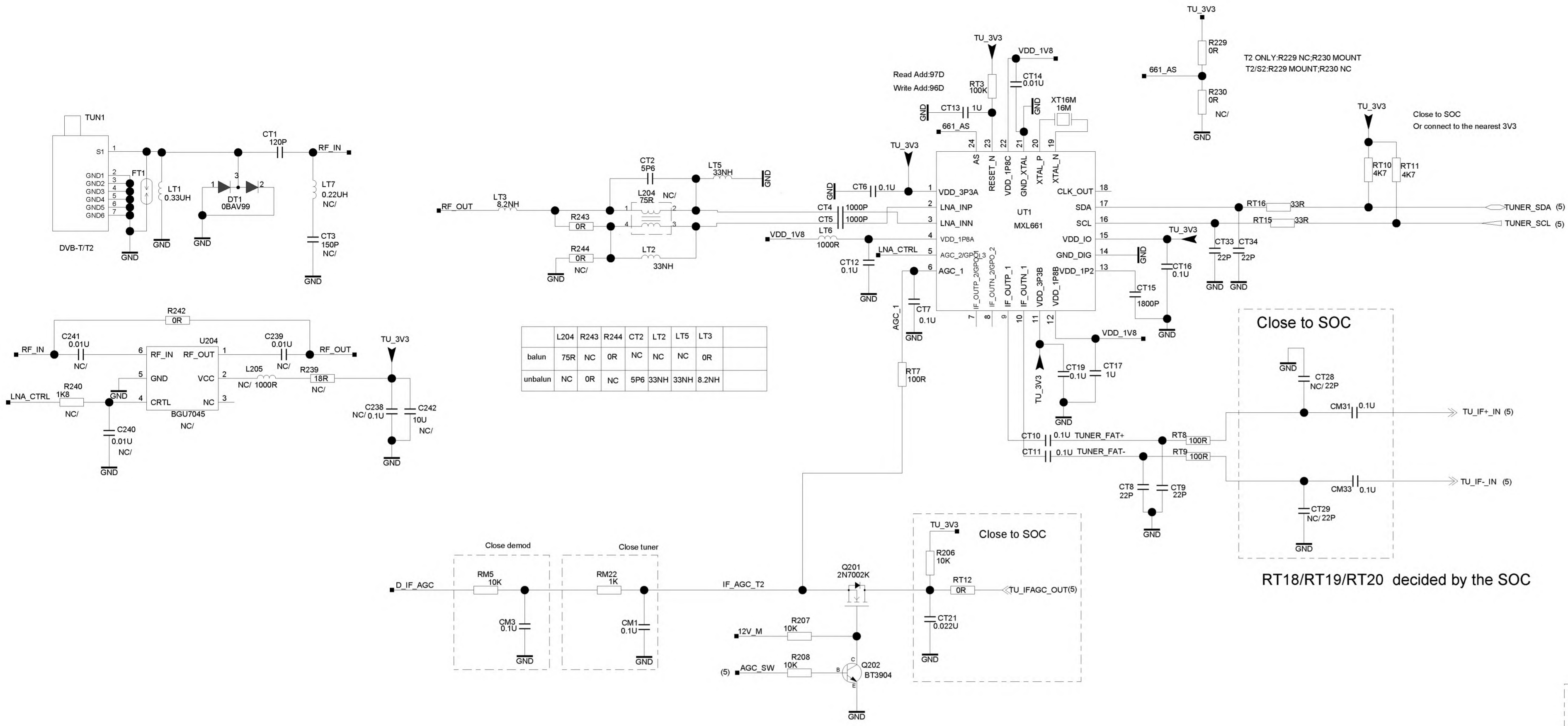
GPIO_VID_0	L	H
1V2_VDDC	0.95V	1V

SBU :				
TCLNO:			
DESIGNATION				
Index-Lab	DATE	NAME	DESCRIPTION	Last modif
Last saved :				
ON:		CHECKED		PAGE:
BY:		ON:		OF :

TTE
TCL Thomson Electronics Singapore Pte. Ltd.
8 Jurong Hall Road #28-01/06
The JTC Summit SINGAPORE 609434
Tel (65) 63092900 Fax (65) 63092999

THIS DRAWING CANNOT BE COMMUNICATED TO UNAUTHORIZED PERSONS COPIED UNLESS PERMITTED IN WRITING

MAXLINER TUNER MXL661 ON BOARD



Index-Lab	DATE	NAME	DESCRIPTION	Last modif
Last saved :				

SBU :
TCLNO:

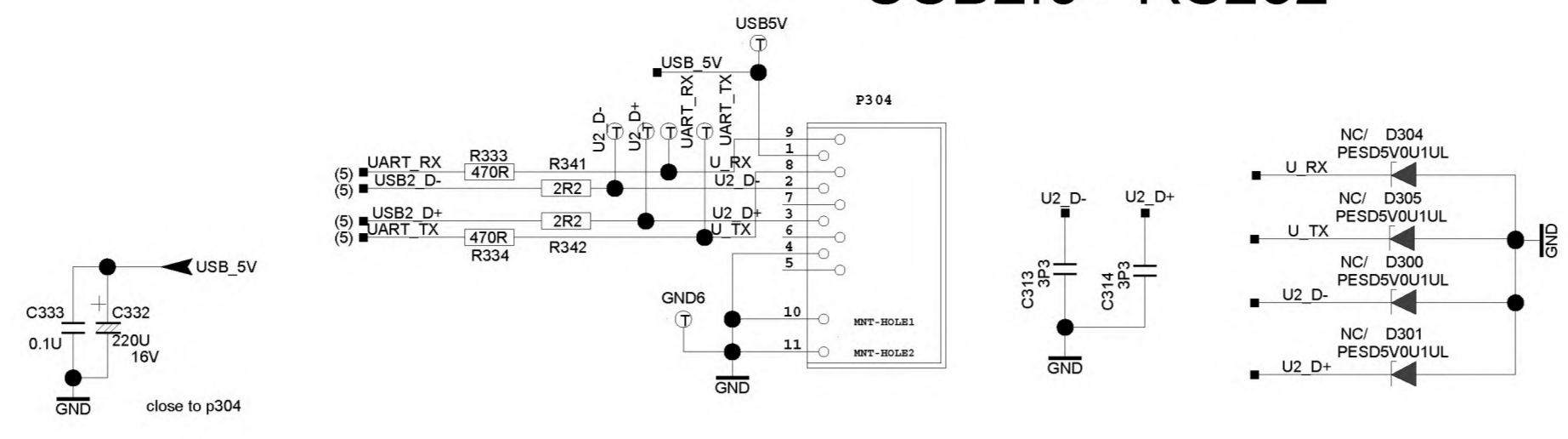
DESIGNATION
DESIGNATION

TTE
TCL Thomson Electronics Singapore Pte. Ltd.
8 Jurong Hall Road #28-01/06
The JTC Summit SINGAPORE 609434
Tel (65) 63092900 Fax (65) 63092999

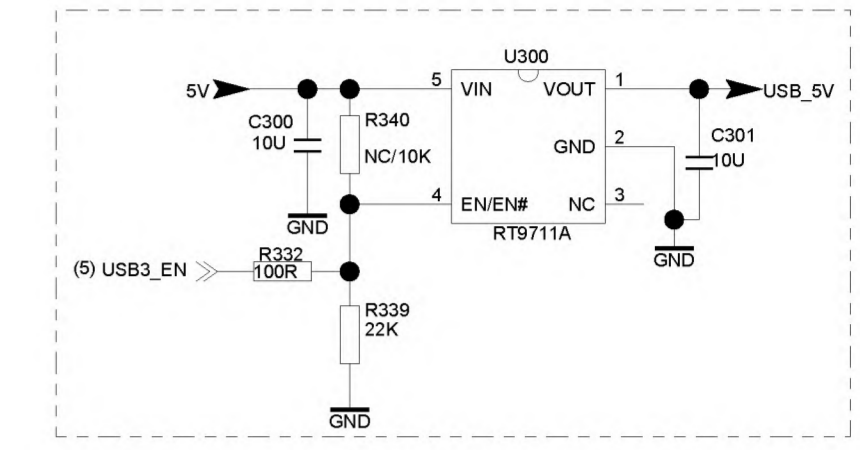
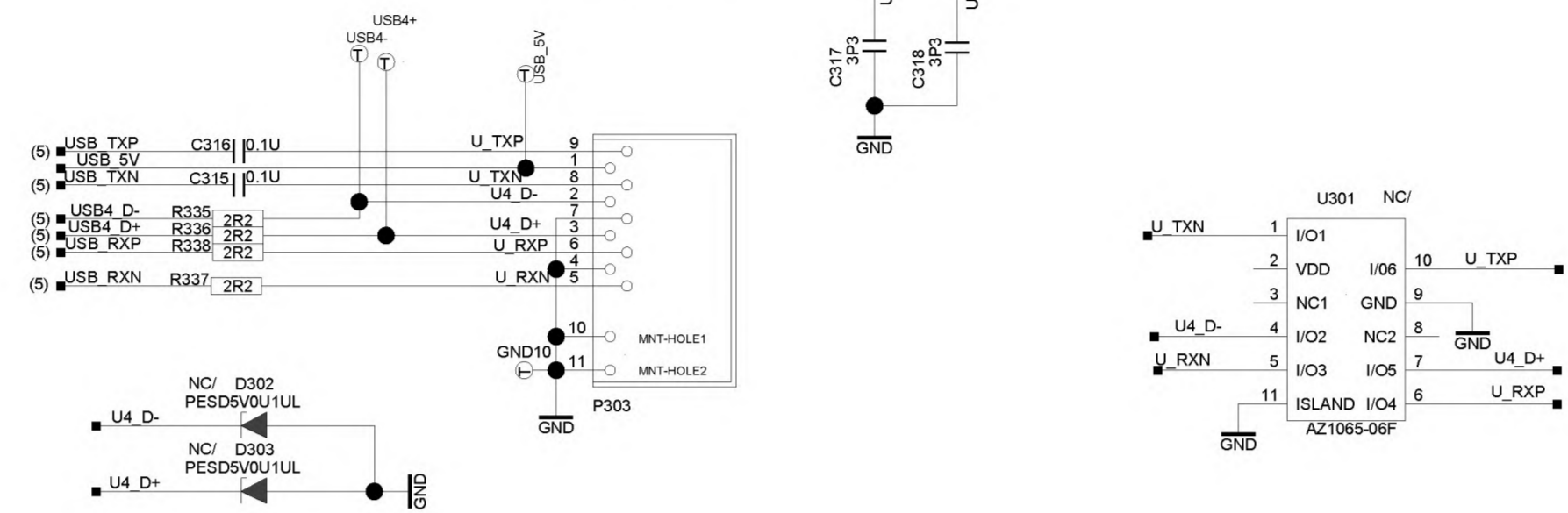
DRAWN ON: BY:
CHECKED ON: BY:
PAGE: OF :

THIS DRAWING CANNOT BE COMMUNICATED TO UNAUTHORIZED PERSONS COPIED UNLESS PERMITTED IN WRITING

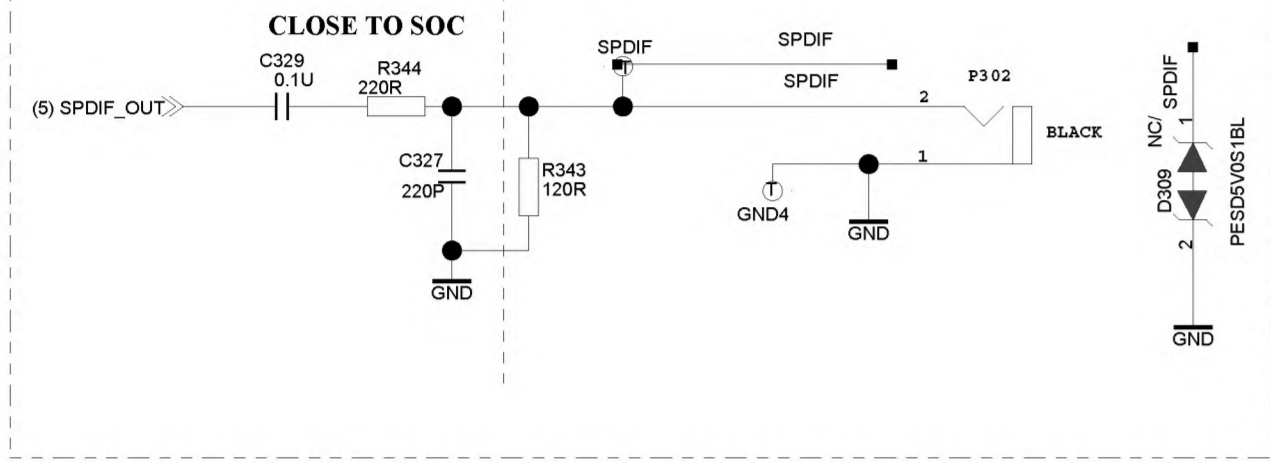
USB2.0+ RS232



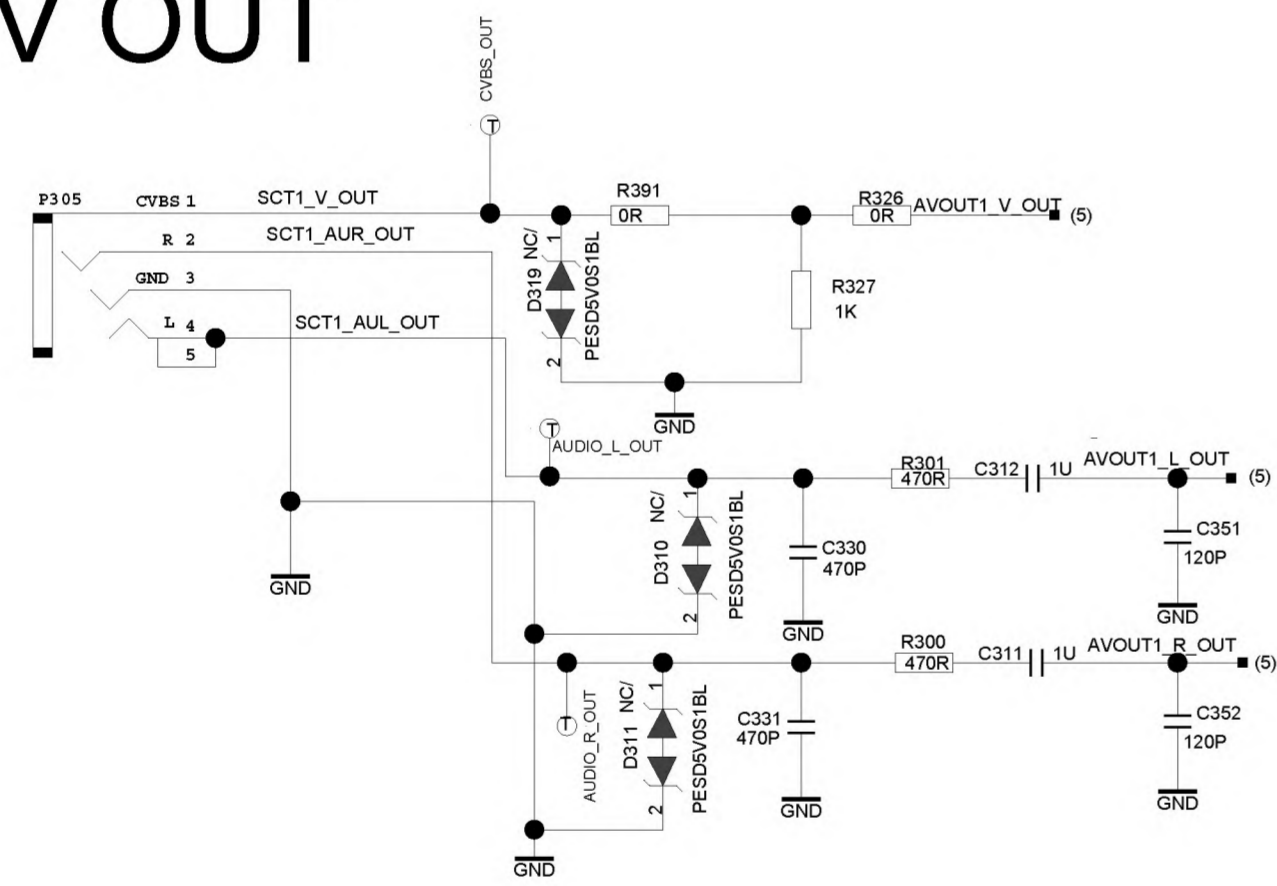
USB3.0



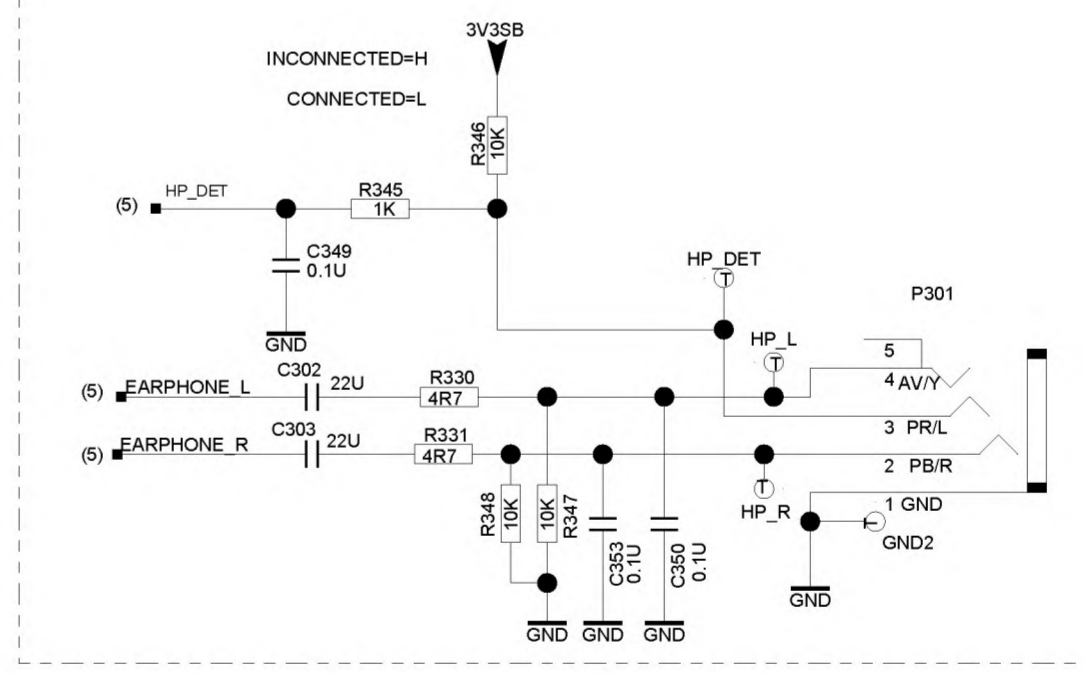
SPDIF



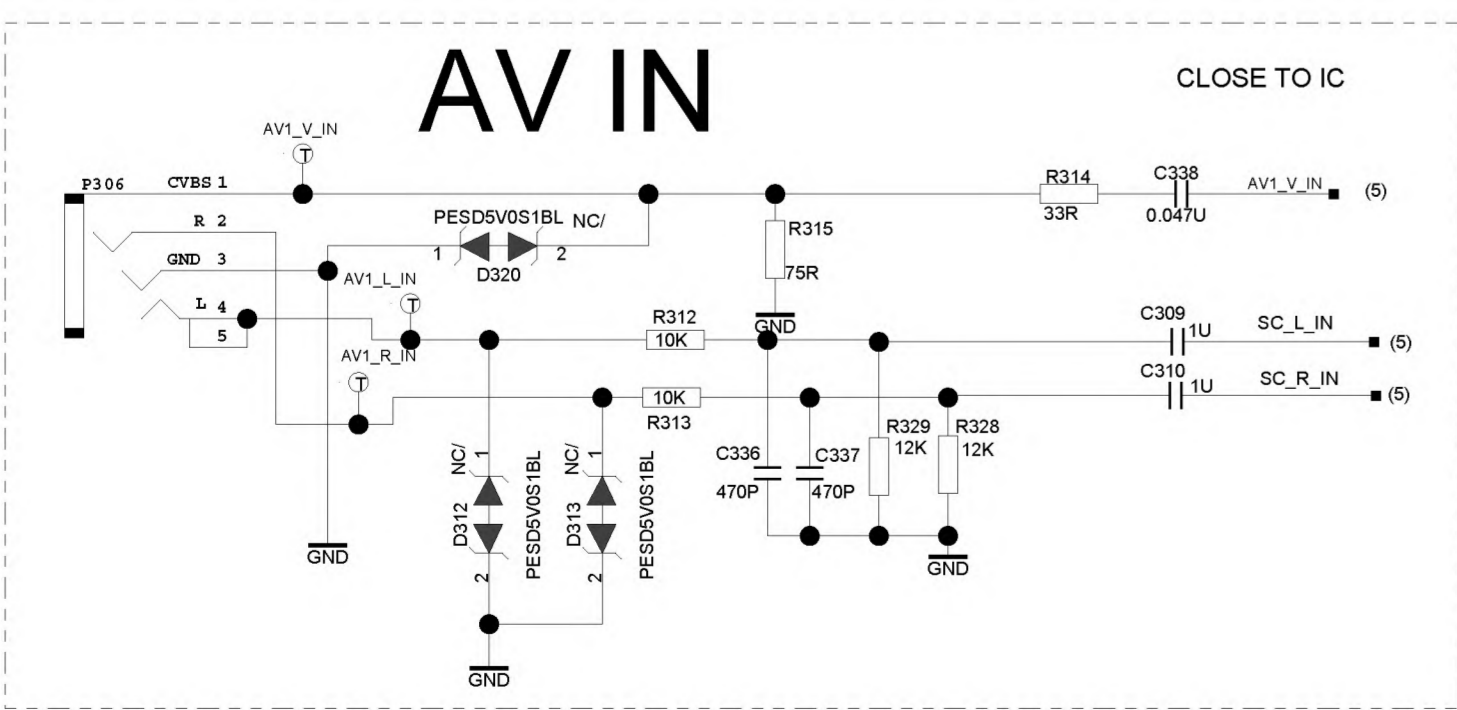
AV OUT



headphone out



AV IN



						SBU :
						TCLNO:
						DESIGNATION
						DESIGNATION
Index-Lab	DATE	NAME	DESCRIPTION	Last modif		
Last saved :						

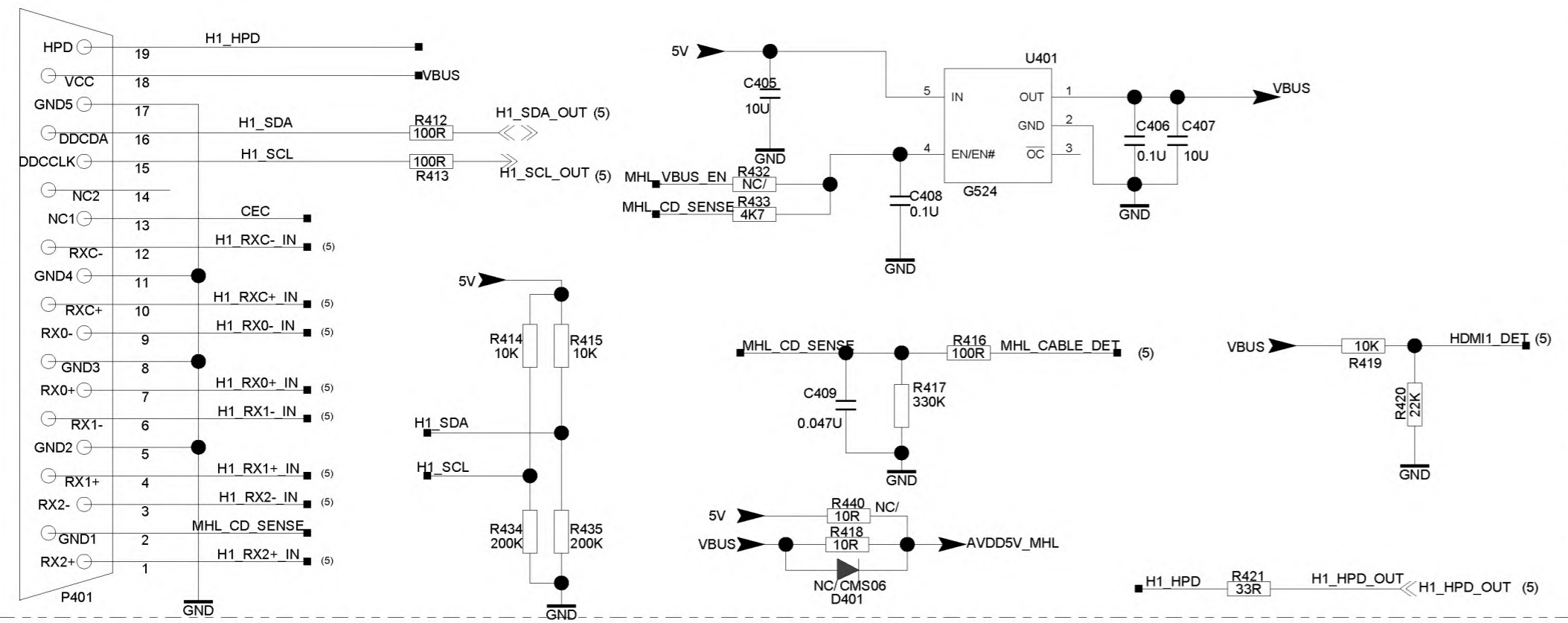
TTE

TCL Thomson Electronics Singapore Pte. Ltd.
8 Jurong Hall Road #28-01/06
The JTC Summit SINGAPORE 609434
Tel (65) 63092900 Fax (65) 63092999

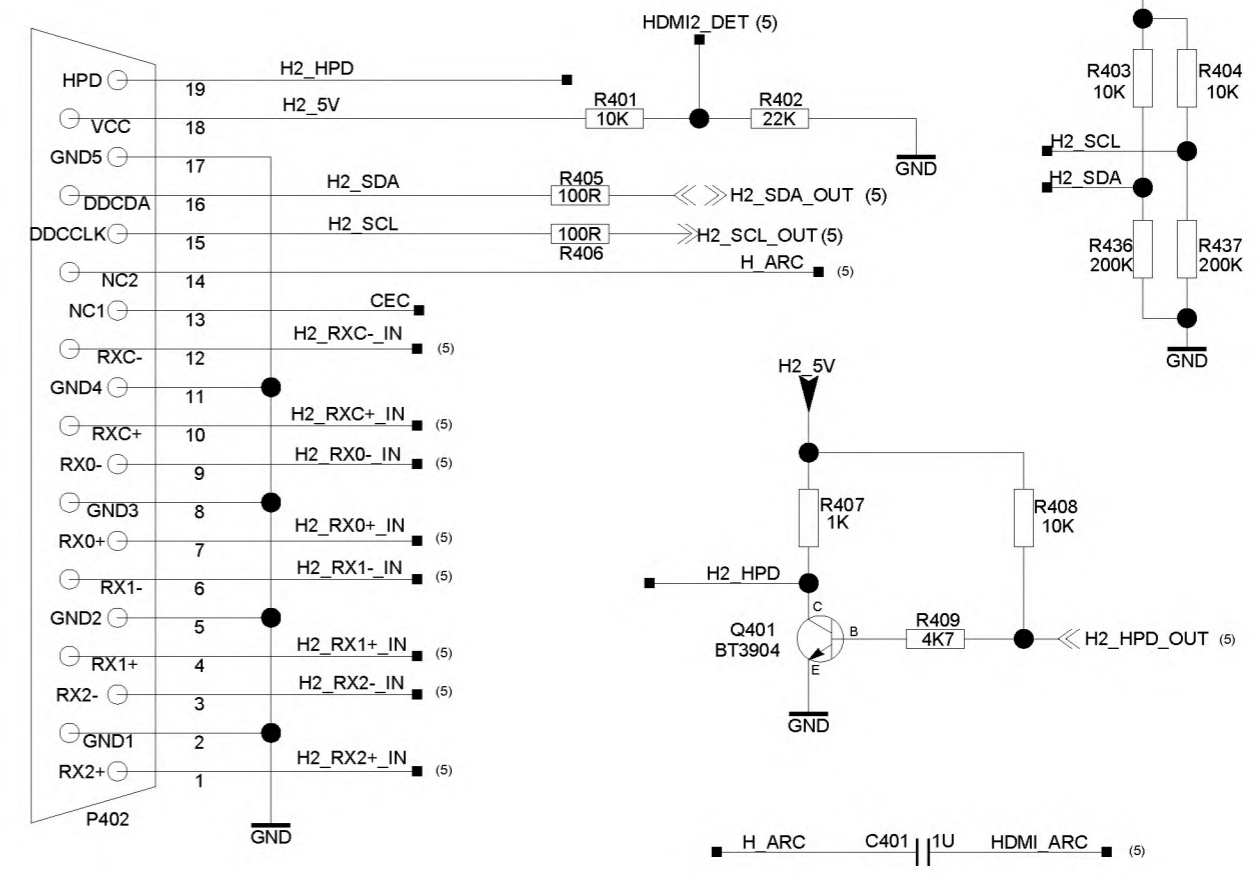
DRAWN	CHECKED	PAGE:
ON:	ON:	OF :
BY:	BY:	

THIS DRAWING CANNOT BE COMMUNICATED TO UNAUTHORIZED PERSONS COPIED UNLESS PERMITTED IN WRITING

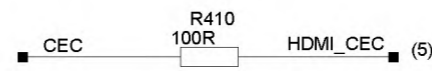
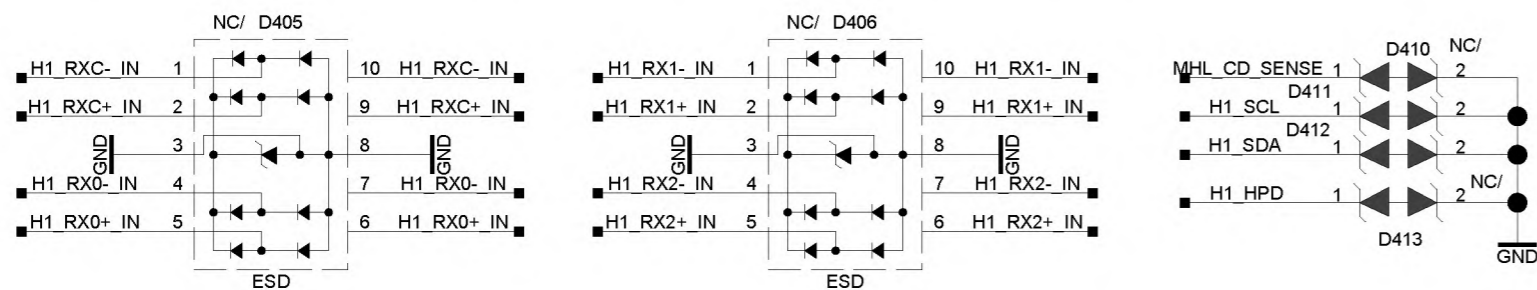
HDMI 1



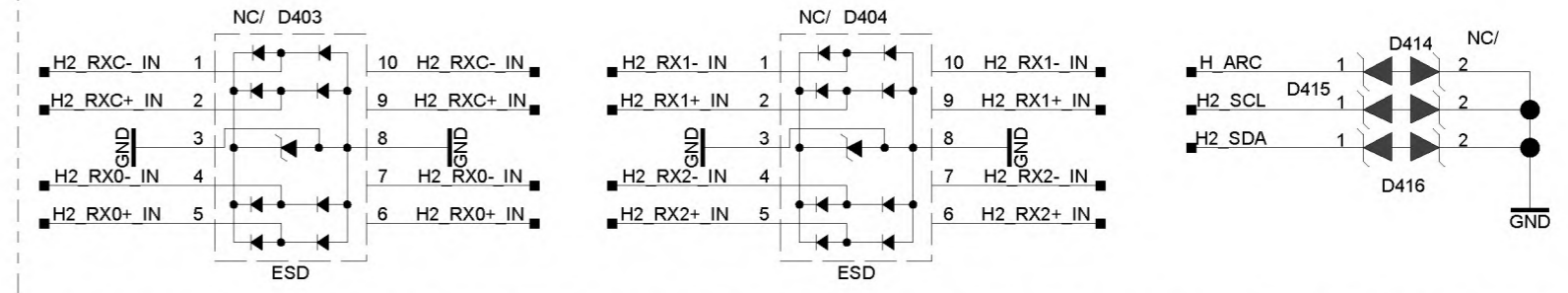
HDMI 2



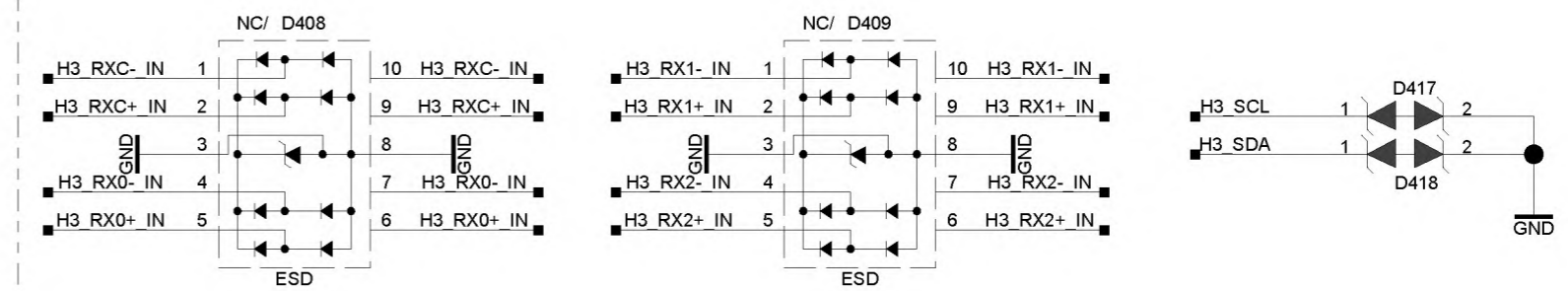
HDMI ESD Protection



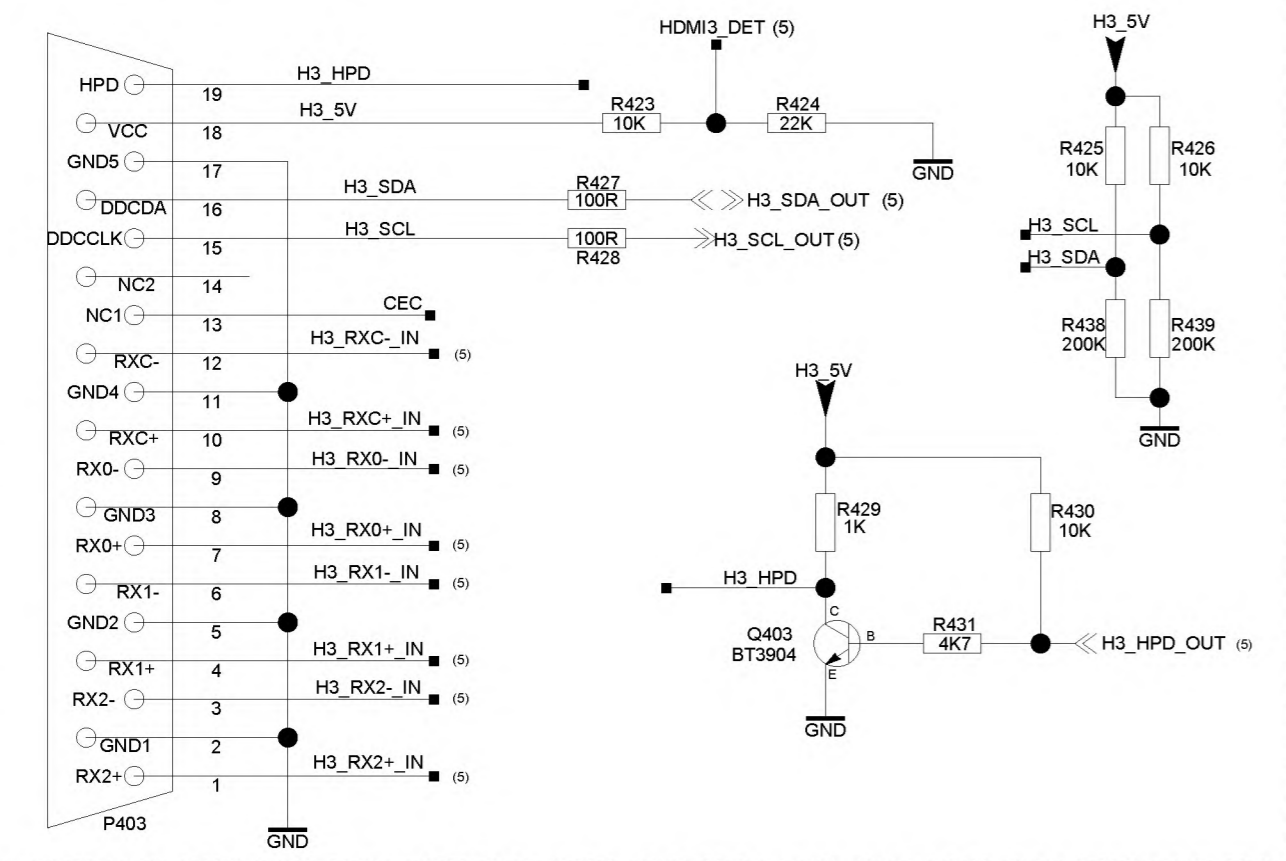
HDMI ESD Protection



HDMI ESD Protection



HDMI 3

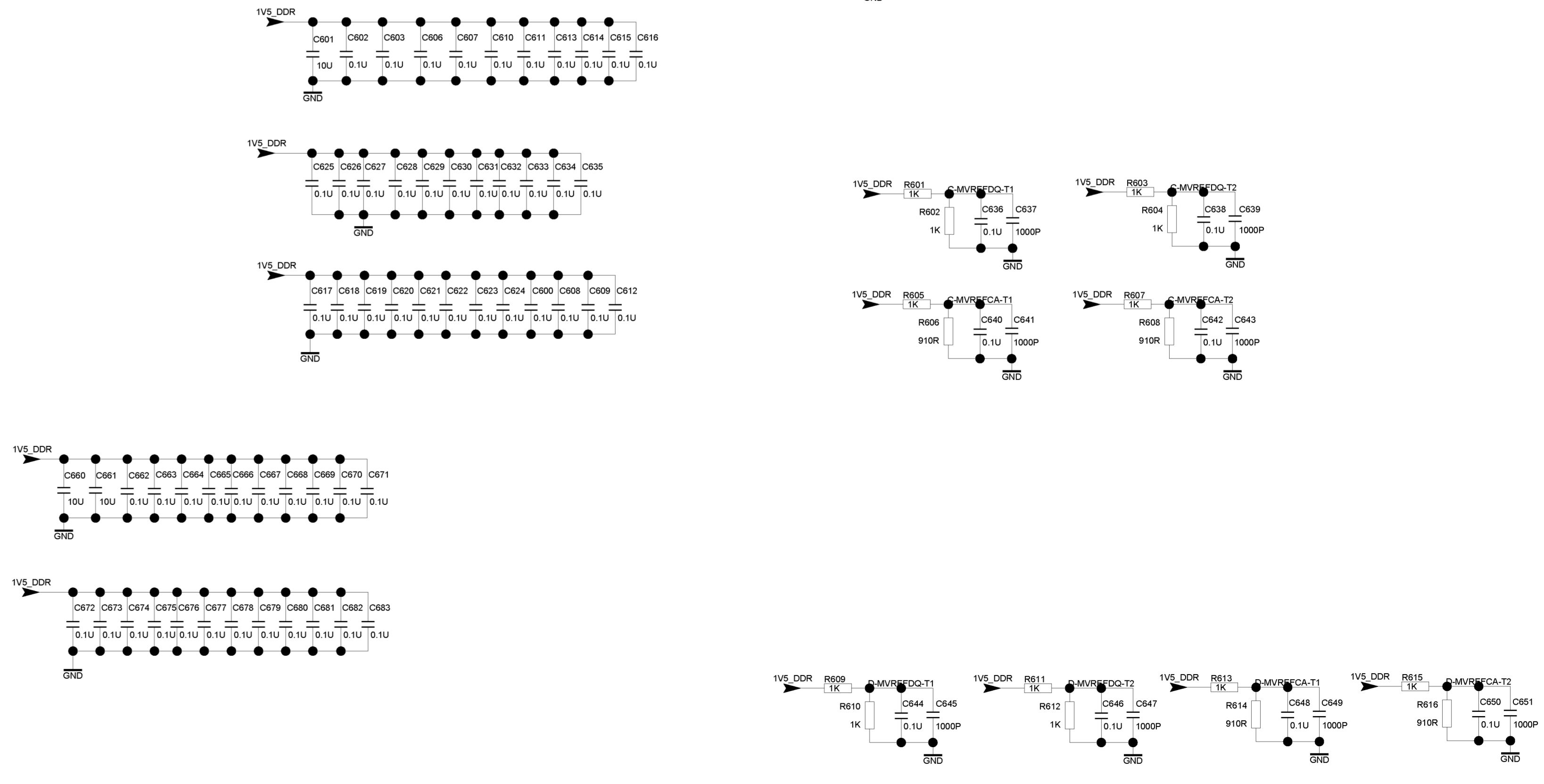
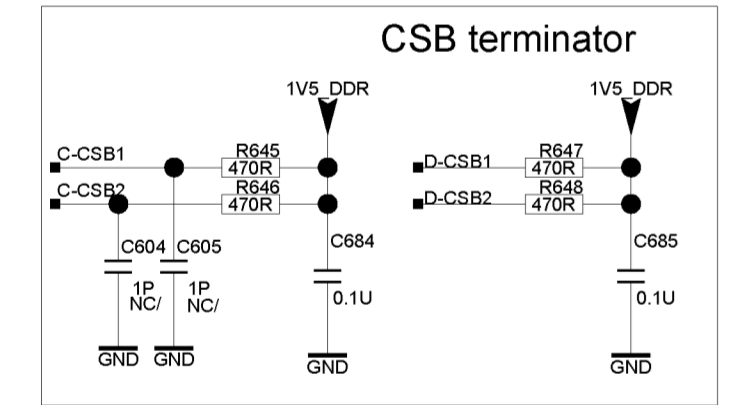
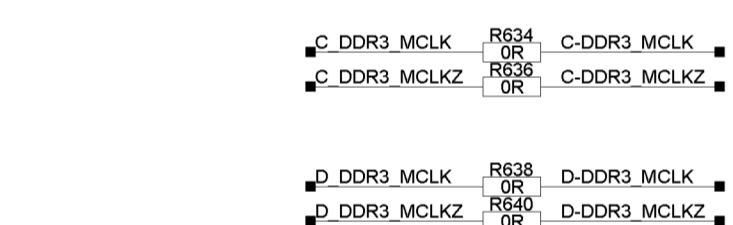
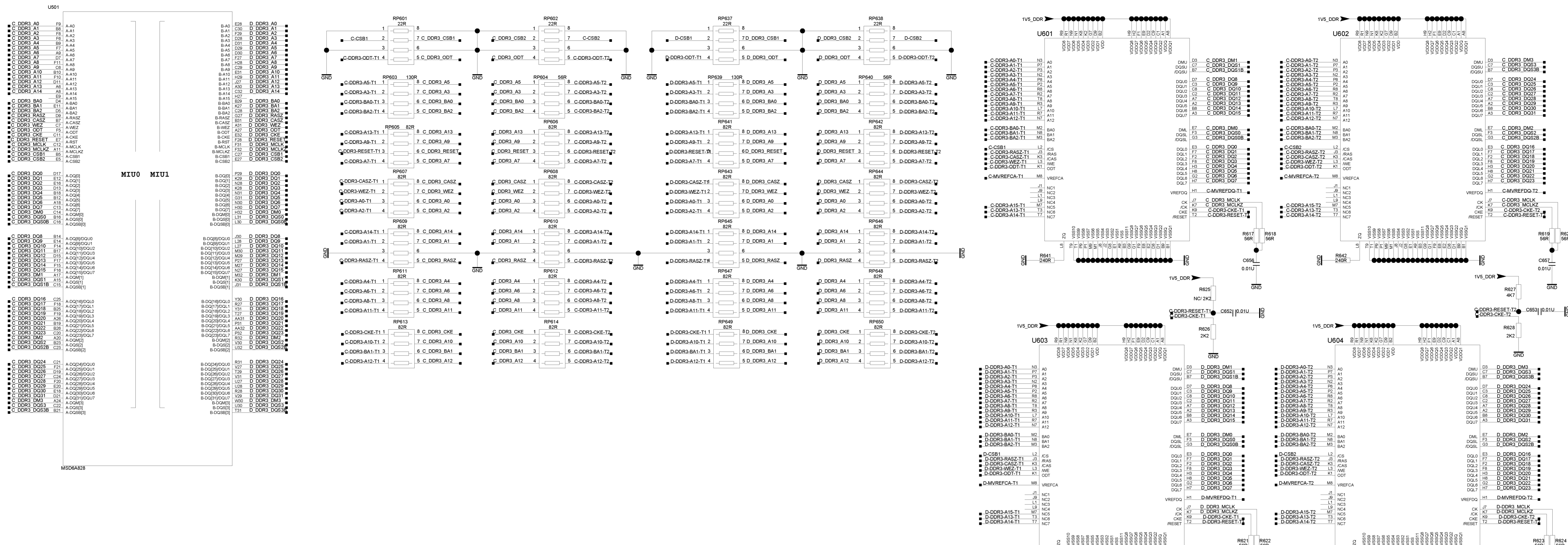


...	DD-MM	SBU :
...	DD-MM	TCLNO:
...	DD-MM
...	DD-MM	DESIGNATION
Index-Lab	DATE	NAME	DESCRIPTION	Last modif
Last saved : 04/02/2016:15:02					

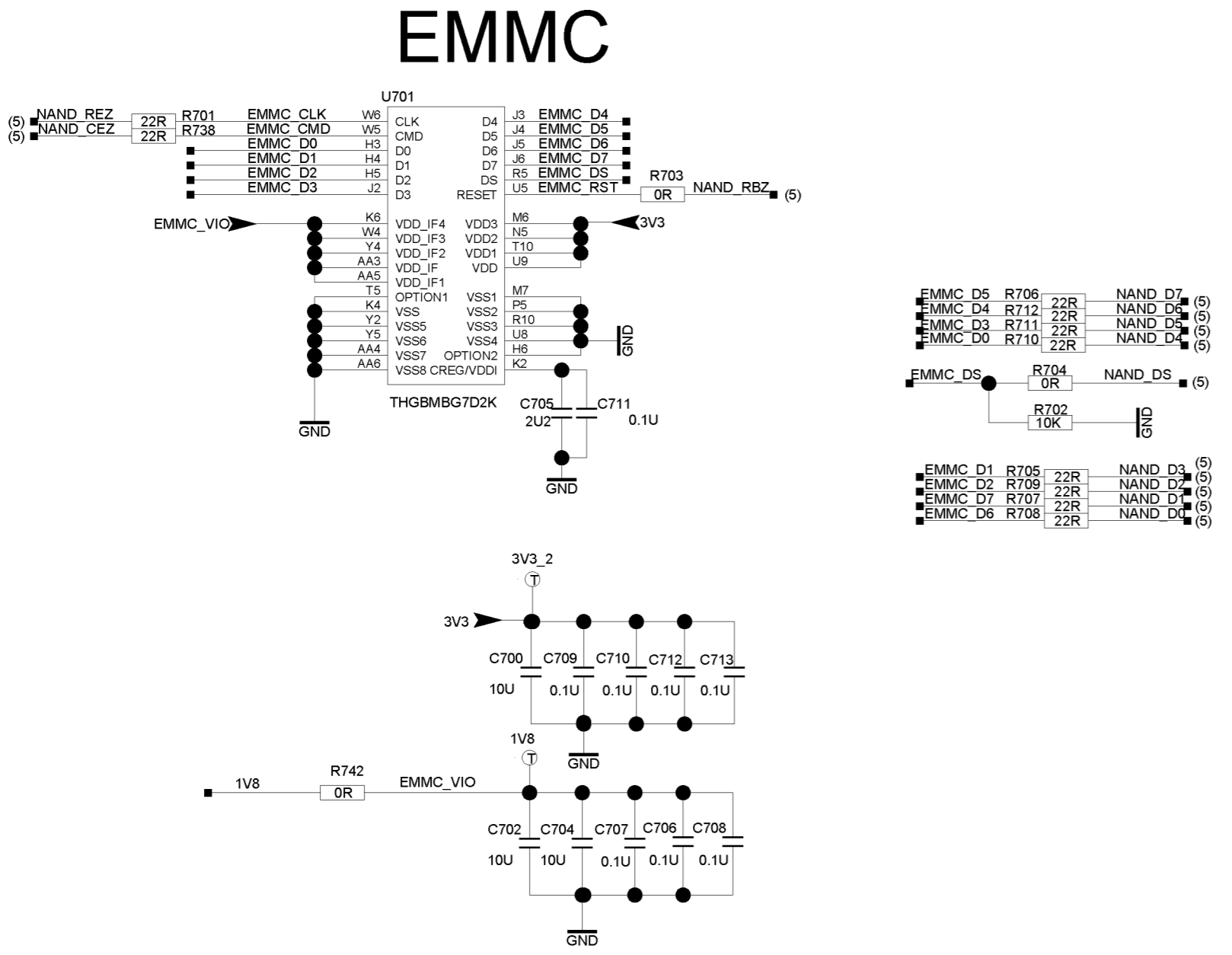
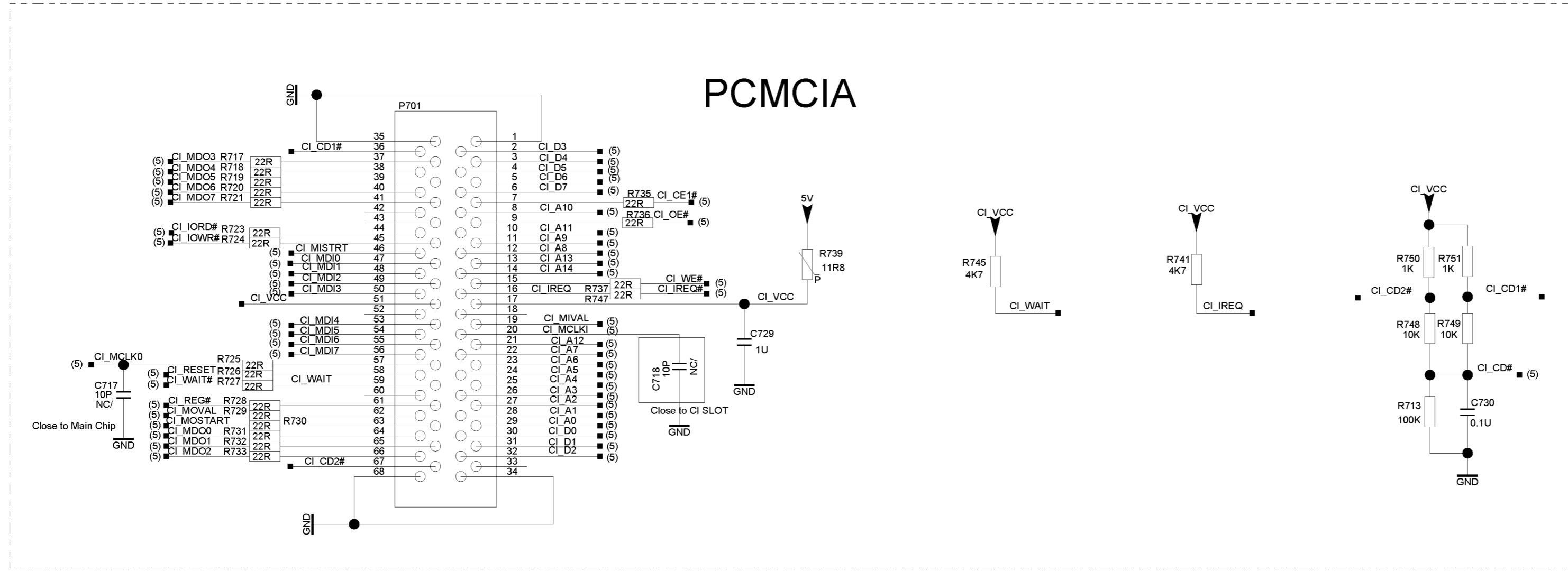
TCL

ADDRESS1 ADDRESS2 ADDRESS3 TELEPHONE		
DRAWN ON: BY:	CHECKED ON: DD-MM-YY BY:	PAGE: OF :

THIS DRAWING CANNOT BE COMMUNICATED TO UNAUTHORIZED PERSONS COPIED UNLESS PERMITTED IN WRITING

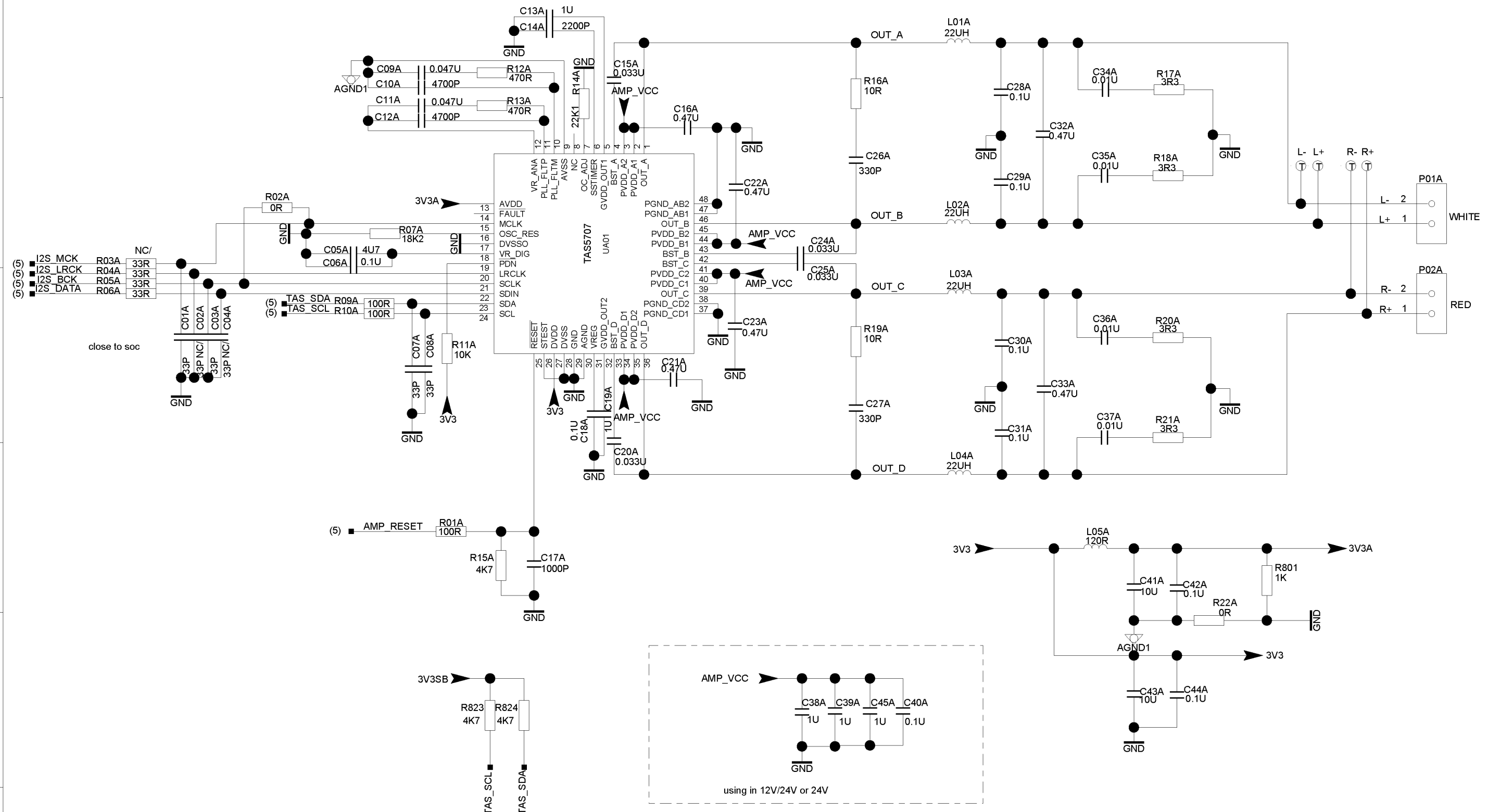


THIS DRAWING CANNOT BE COMMUNICATED TO UNAUTHORIZED PERSONS COPIED UNLESS PERMITTED IN WRITING




				SBU :		TTE	
				TCLNO:			
				DESIGNATION		TCL Thomson Electronics Singapore Pte. Ltd. 8 Jurong Hall Road #28-01/06 The JTC Summit SINGAPORE 609434 Tel (65) 63092900 Fax (65) 63092999	
				DESIGNATION			
Index-Lab	DATE	NAME	DESCRIPTION	Last modif			
Last saved :							
DRAWN		CHECKED		PAGE:			
ON:		ON:		OF :			
BY:		BY:					

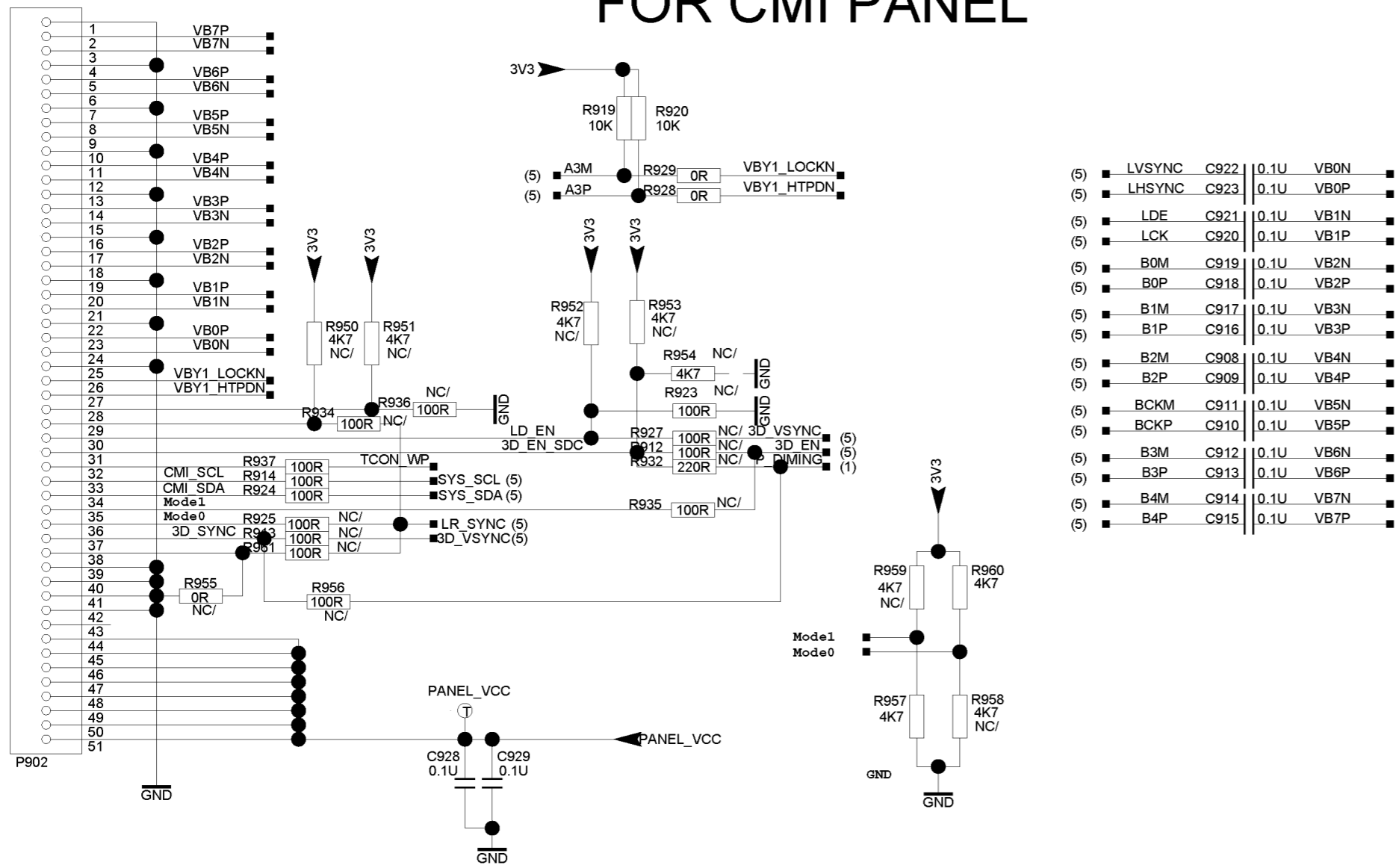
AMP_AUDIO



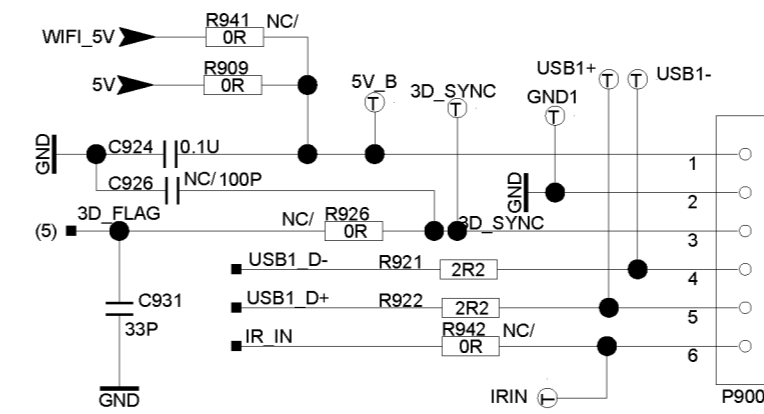
THIS DRAWING CANNOT BE COMMUNICATED TO UNAUTHORIZED PERSONS COPIED UNLESS PERMITTED IN WRITING

					SBU :	 TCL Thomson Electronics Singapore Pte. Ltd. 8 Jurong Town Hall Road #28-01/06 The JTC Summit SINGAPORE 609434 Tel (65) 63092900 Fax (65) 63092999		
					TCLNO:			
					DESIGNATION			
					DESIGNATION			
Index-Lab	DATE	NAME	DESCRIPTION	Last modif				
Last saved :								
				DRAWN	CHECKED	PAGE:		
				ON:	ON:	OF :		
				BY:	BY:			

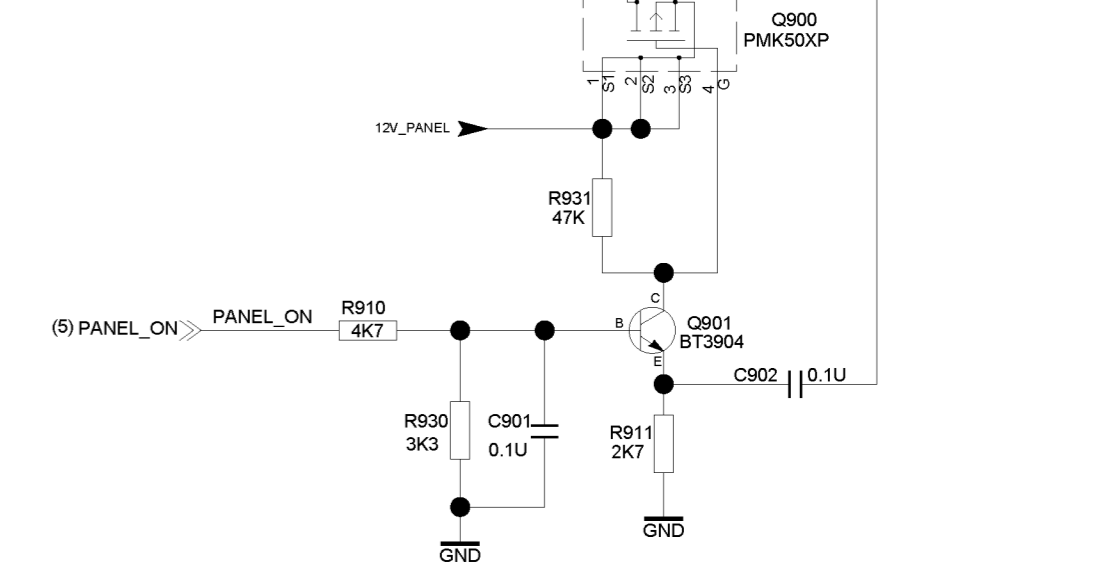
FOR CMI PANEL



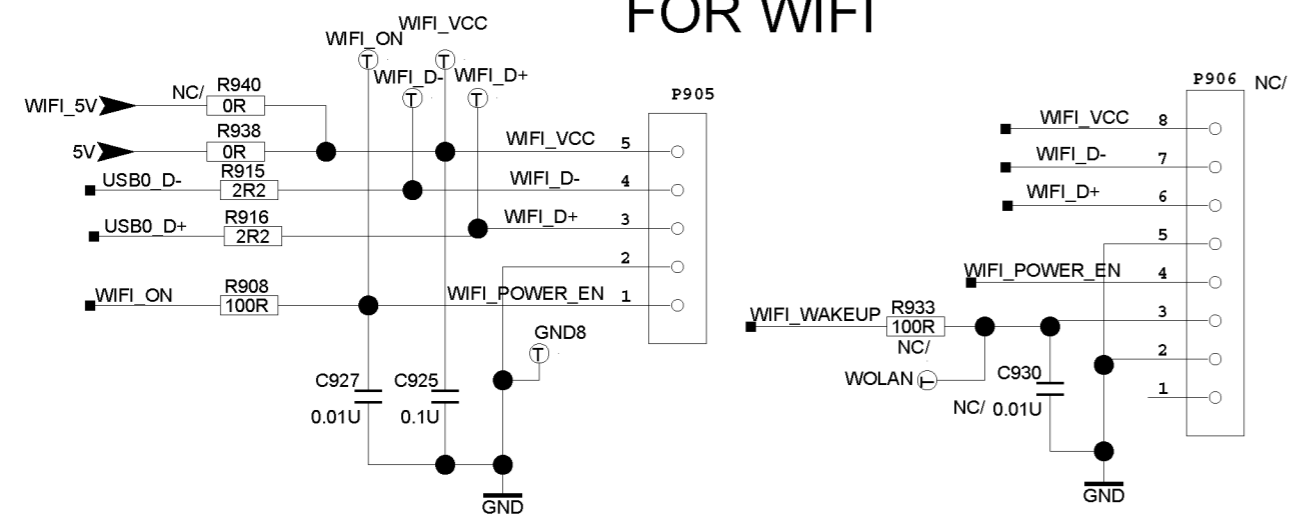
FOR BLUETOOTH



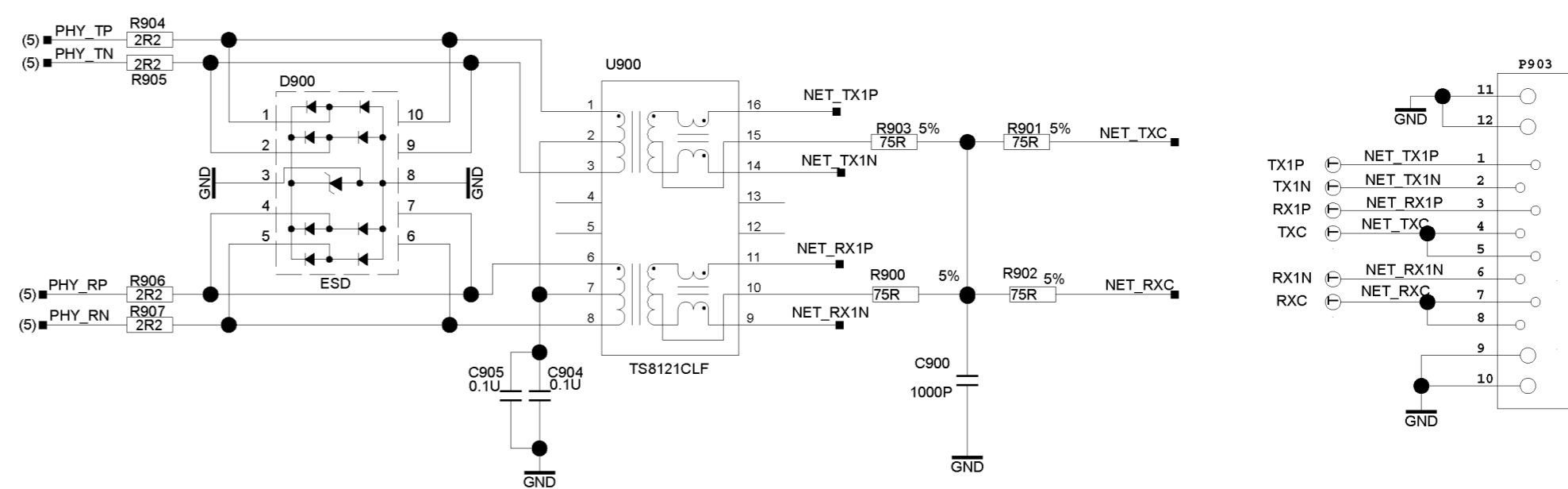
Panel Power Circuit



FOR WIFI



INTERNET



THIS DRAWING CANNOT BE COMMUNICATED TO UNAUTHORIZED PERSONS COPIED UNLESS PERMITTED IN WRITING

		SBU :	
		TCLNO:	
		DESIGNATION	
		DESIGNATION	
		DRAWN	
		CHECKED	
		PAGE:	
		OF :	
		ON:	
		BY:	

TTE
 TCL Thomson Electronics Singapore Pte. Ltd.
 8 Jurong Hall Road #28-01/06
 The JTC Summit SINGAPORE 609434
 Tel (65) 63092900 Fax (65) 63092999

Index-Lab	DATE	NAME	DESCRIPTION	Last modif
Last saved :				